

QUICK INSTALLATION

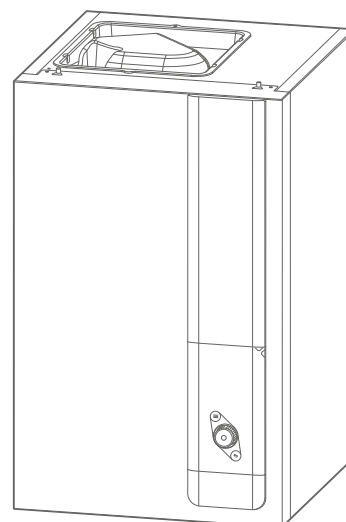
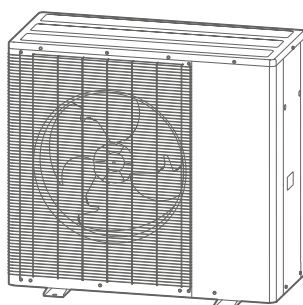
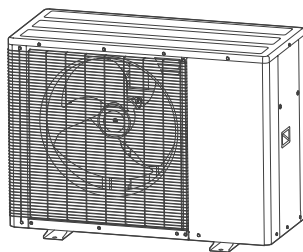
ML

Extensa M

Hydraulic unit for Monobloc 1 service

Hydraulic unit

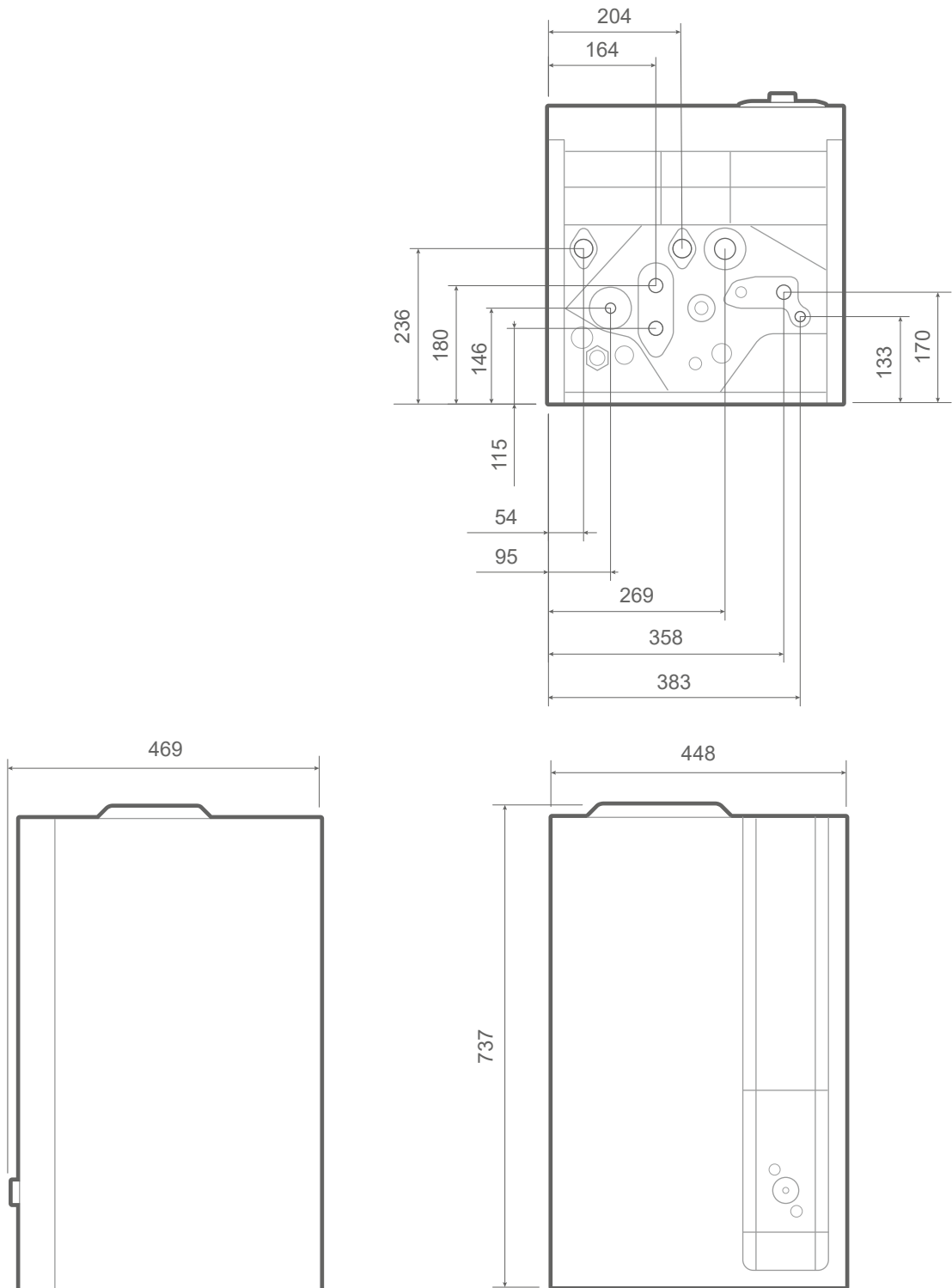
024192



U0755566_2470_ML_2
03/04/2024

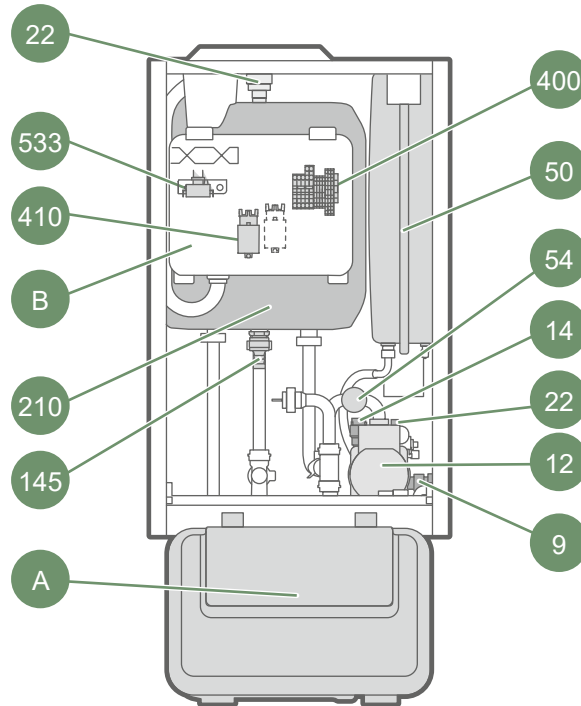
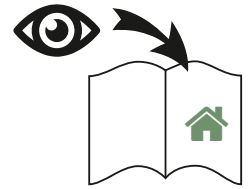
For professionals.
To be kept by the user for future reference

■ EXTENSA M



■ EXTENSA M

50 kg



Electrical case :

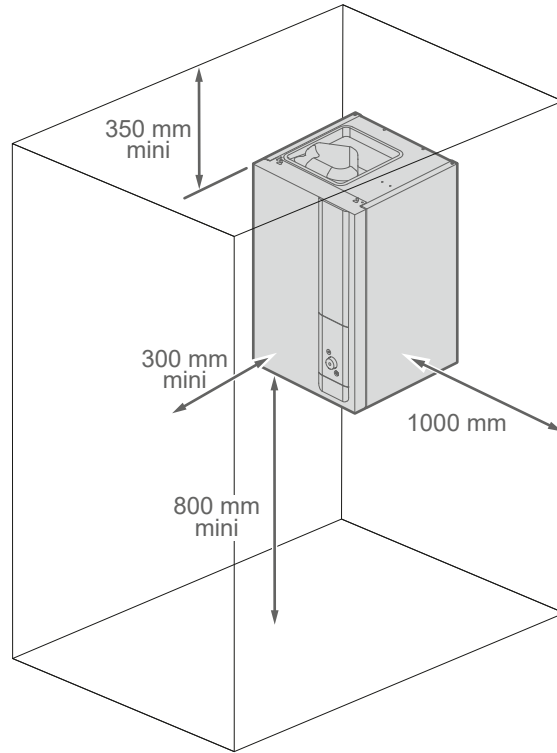
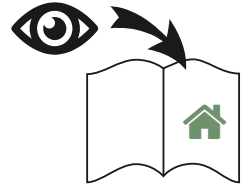
A - Main.

B - Heating electrical backup.

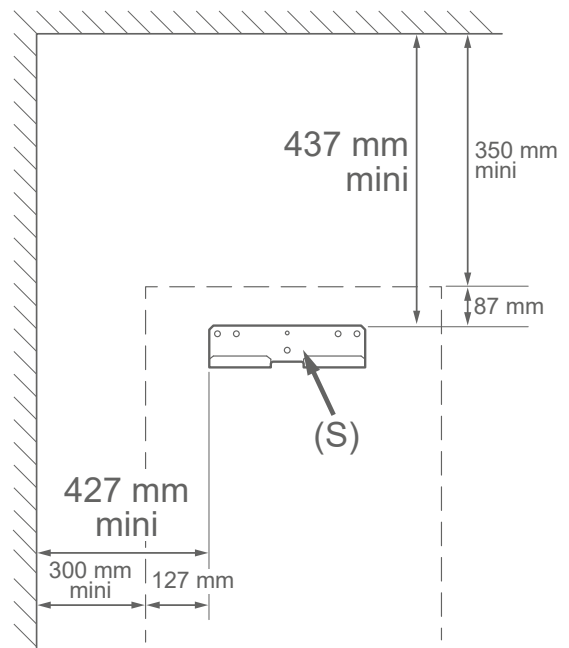
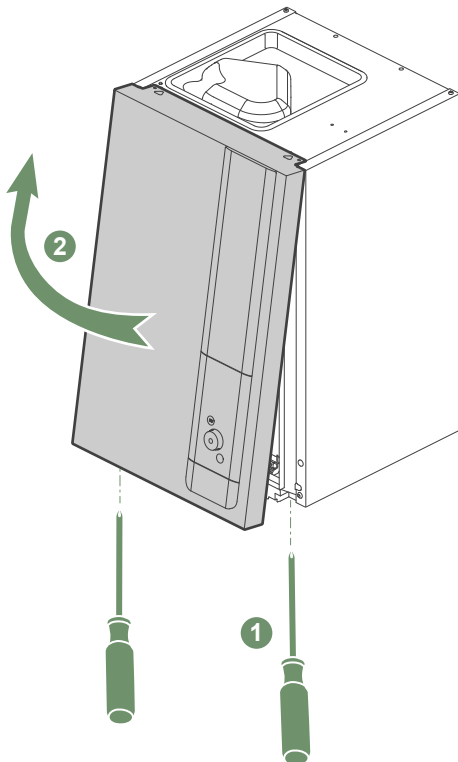
- 9 - Pressure sensor
- 12 - Circulating pump
- 14 - Safety valve
- 22 - Automatic bleeder valve

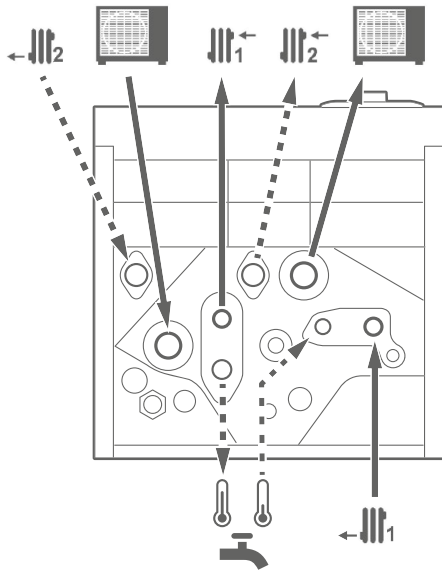
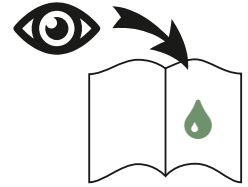
- 50 - Expansion vessel
- 54 - Pressure gauge
- 145 - Drain valve
- 210 - Buffer tank

- 400 - Main supply terminal block
- 410 - Relay
- 533 - Electrical backup safety thermostat

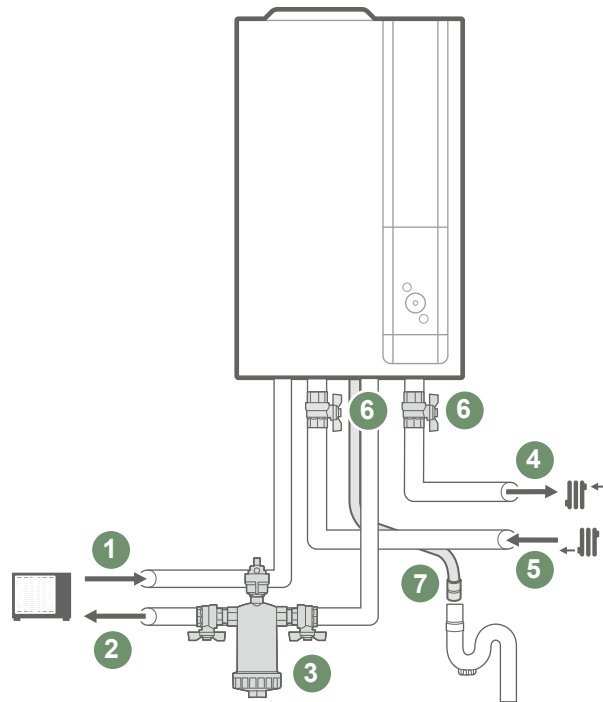


 ■ EXTENSA M 50 kg

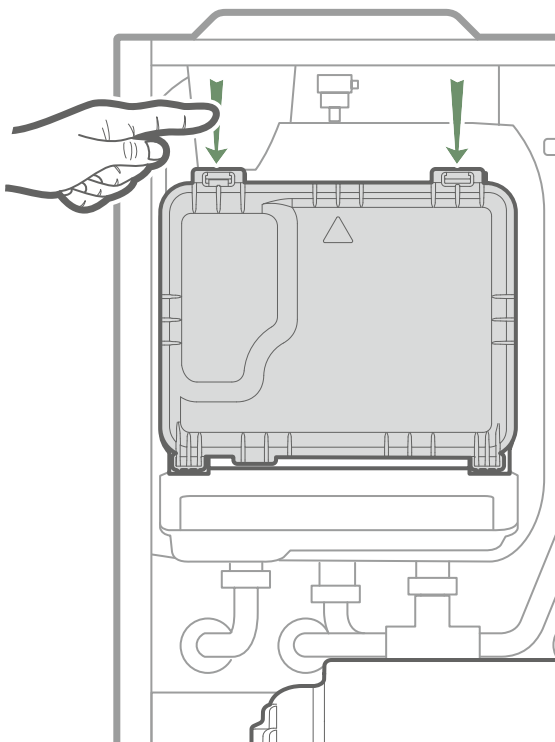
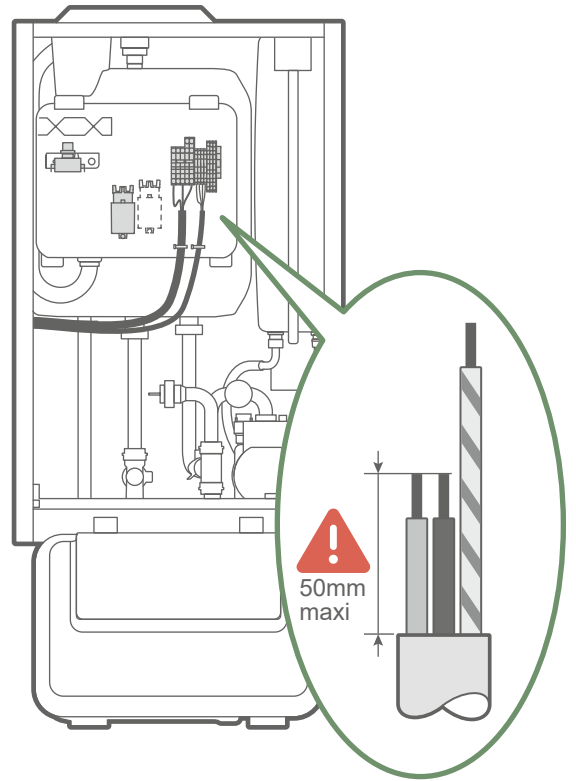
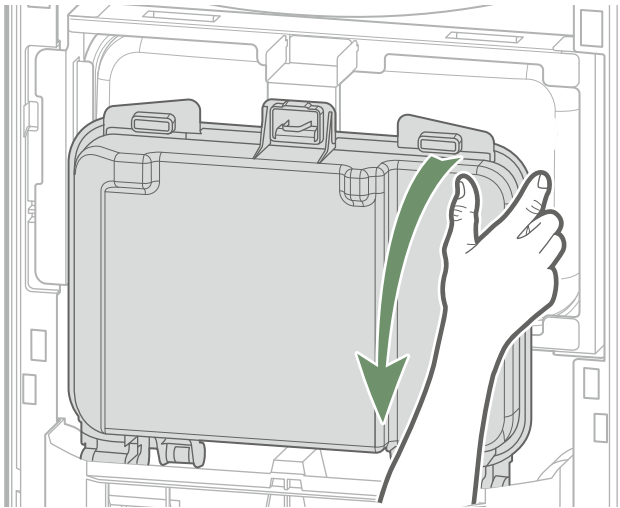


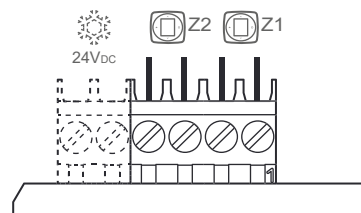
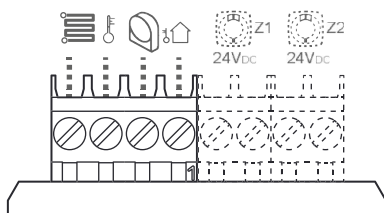
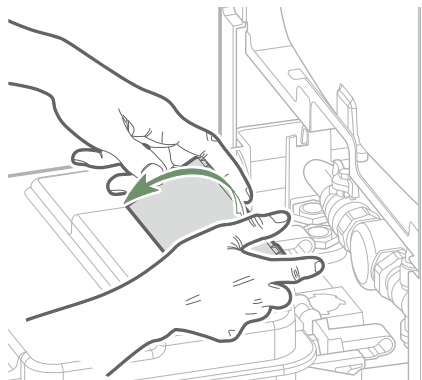
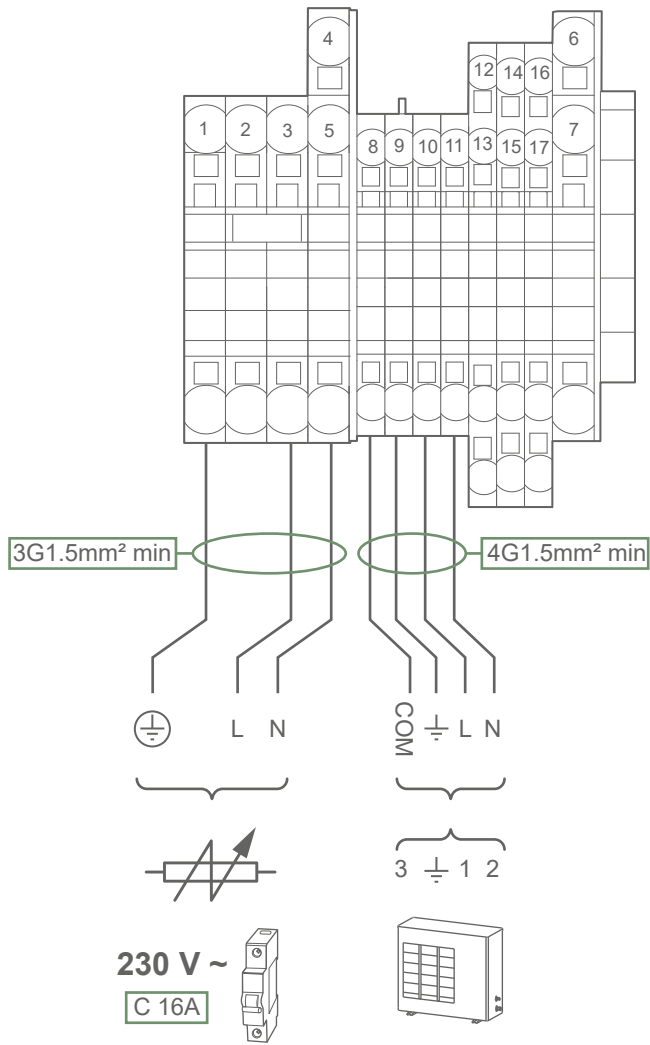
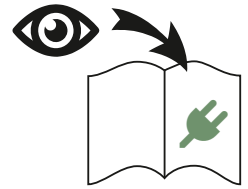


Ø	Tightening torque
1/2"	25 Nm
3/4"	35 Nm
1"	45 Nm
1-1/4"	60 Nm



- 1 - HP inlet (Outdoor unit).
- 2 - HP outlet (Outdoor unit).
- 3 - Sediment trap
- 4 - Heating return (1 circuit).
- 5 - Heating flow (1 circuit).
- 6 - Stop valve (not provided).
- 7 - Evacuation pipe (drainage).





Commissioning date:

Address of your heating installer or customer service.



This equipment complies with:

- Low Voltage Directive 2014/35/EC in accordance with NF EN 60335-1, NF EN 60335-2-40, NF EN 60529, NF EN 60529/A2 (PI) standards,
- Electromechanical Compatibility Directive 2014/30/EC,
- Machines Directive 2006/42/EC,
- Pressure Equipment Directive 2014/68/EC in accordance with NF EN 378-2 standard,
- Ecodesign Directive 2009/125/EC,
- Energy Labelling Directive 2010/30/EC.

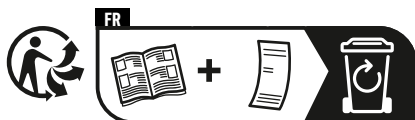
This appliance also complies with:

- Decree No. 92-1271 (and its modifications) relating to certain refrigeration fluids used in refrigeration and air conditioning equipment.
- Regulation 842/2006 of the European parliament on certain fluorinated greenhouse gases.
- The standards relating to the product and the testing methods used: Air-conditioners, refrigeration units and heat pumps with compressor driven by electric motor for heating and refrigeration EN 14511-1, 14511-2, 14511-3, and 14511-4.
- Standard EN 12102: Air-conditioners, heat pumps and dehumidifiers with compressor driven by electric motor. Measurement of airborne noise. Determination of acoustic power level.



Keymark Certification :

- 012-C700211- EXTENSA M 5
- 012-C700212- EXTENSA M 6
- 012-C700213 - EXTENSA M 8
- 012-C700214 - EXTENSA M 11



Points de collecte sur www.quefairedemesdechets.fr