

QUICK INSTALLATION

ML

UE MONOBLOC

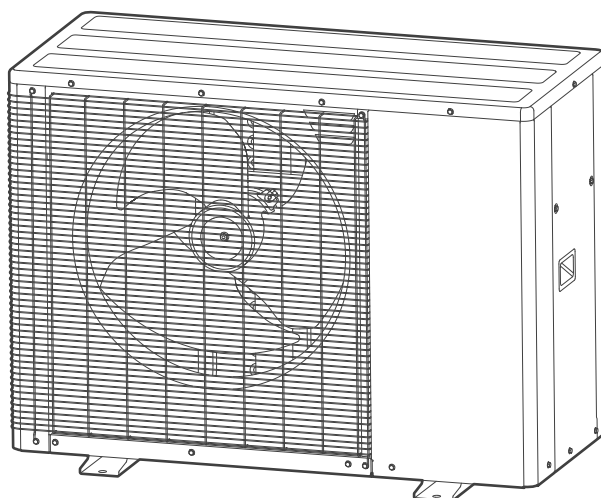
Monobloc heat pump air to water

Unité extérieure

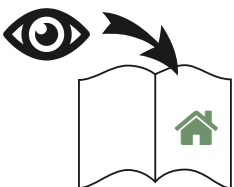
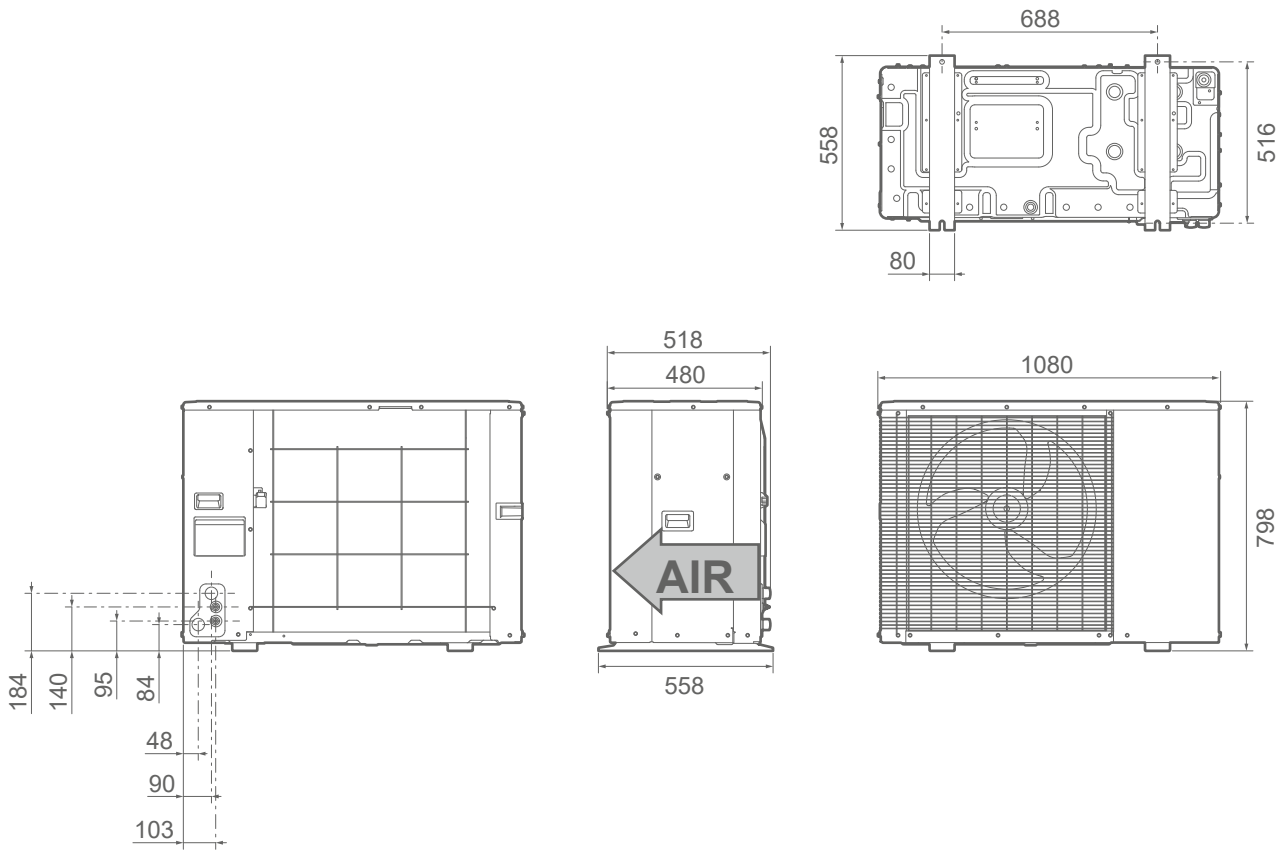
M 5 - 750731



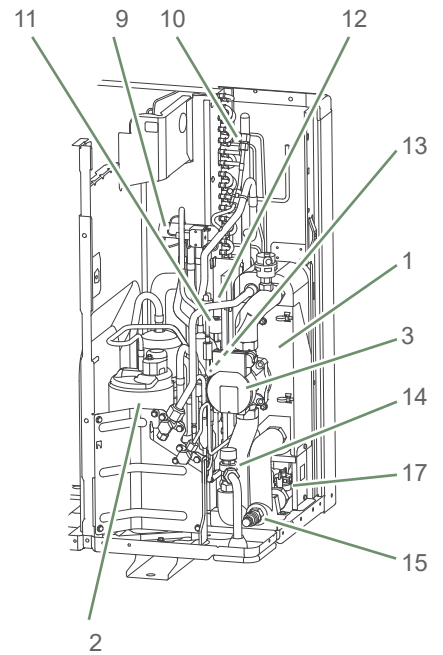
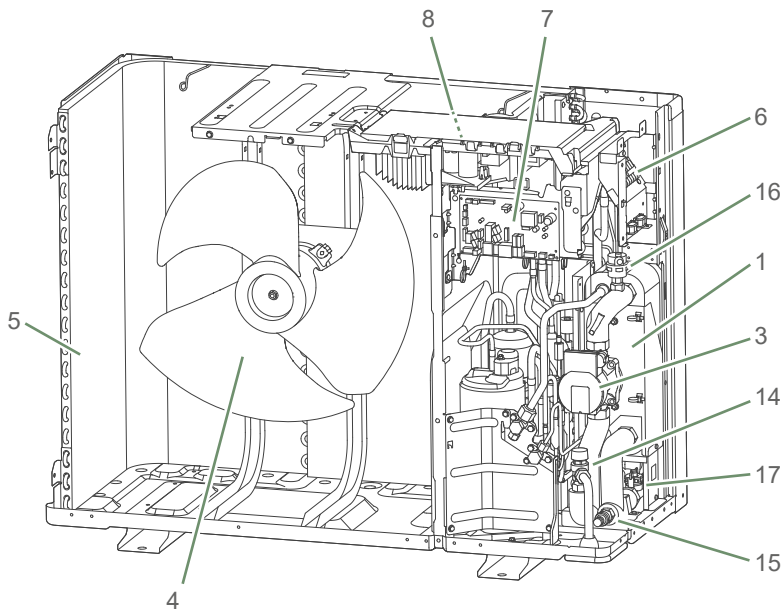
M 6 - 750732



■ OUTDOOR

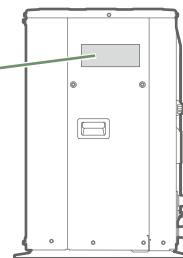


 **OUTDOOR** **85 kg**



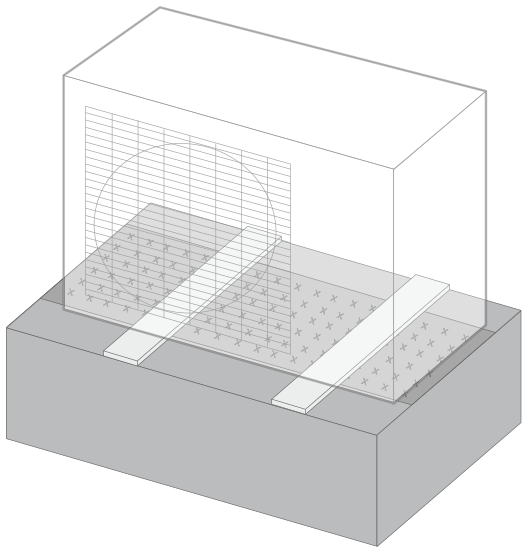
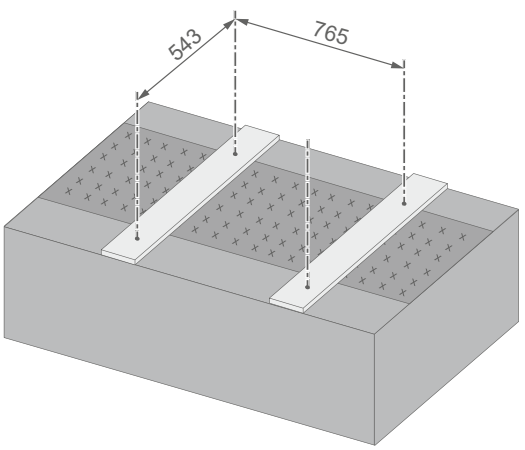
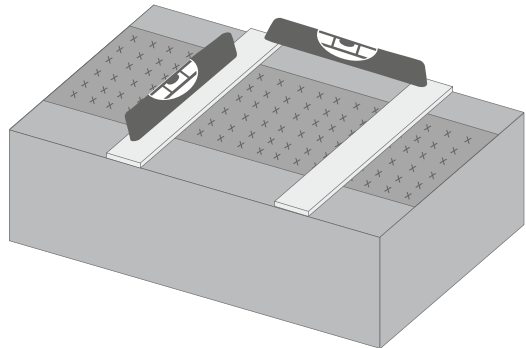
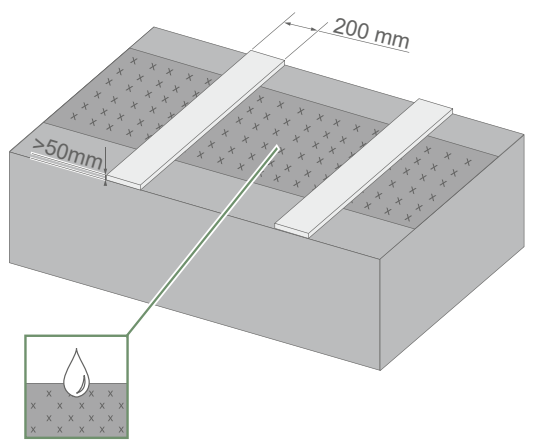
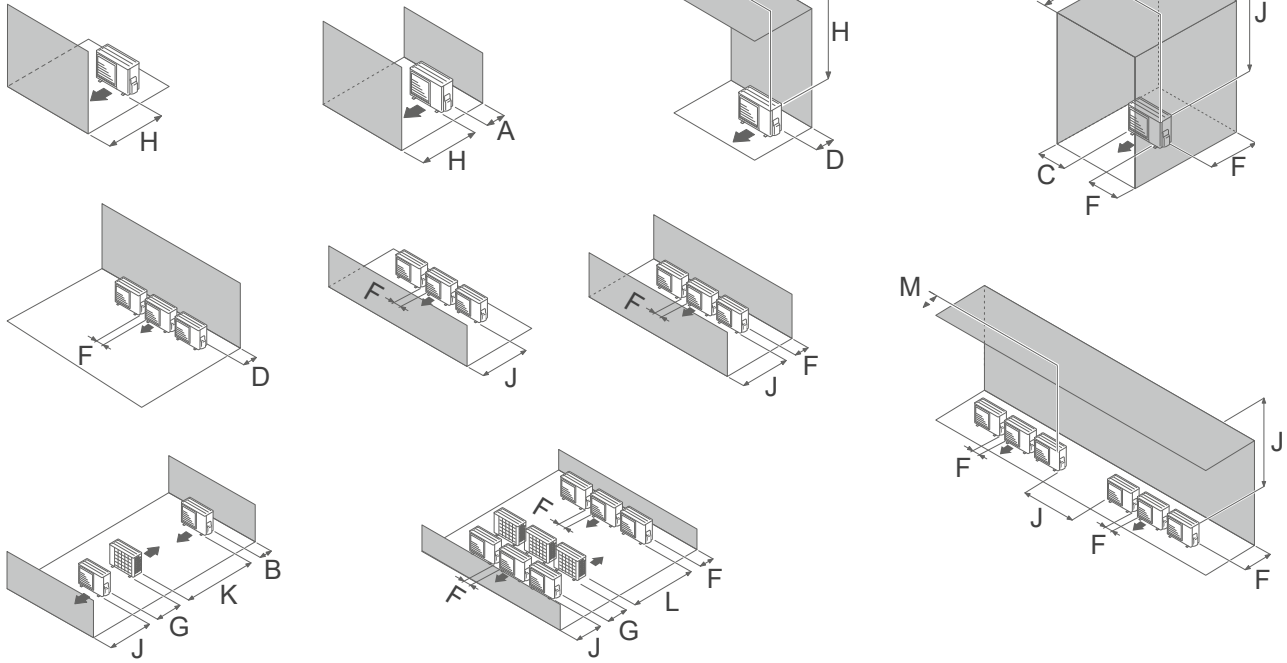
- | | | |
|---|--------------------------------|-----------------------------------|
| 1. Refrigerant to Water Heat Exchanger (EP) | 7. Hydronic Circuit PCB | 13. Expansion valve (Dt) |
| 2. Compressor (Cp) | 8. Main PCB | 14. Pressure Relief Valve (SSe) |
| 3. Circulating pump (CC) | 9. 4-way valve (V4V) | 15. Drain valve (V) |
| 4. High performance and low noise fan | 10. Schrader Valve | 16. Automatic bleeder valve (PgA) |
| 5. Air to Refrigerant Heat Exchanger (Ech) | 11. Pressure sensor (SPr) | 17. Flowmeter (Db) |
| 6. Supply terminal | 12. High pressure switch (Prt) | |

OUTDOOR UNIT		Code 75***				SERIAL...A	
	1	2	3	4			
Compressor / Compresseur	1 - 80Hz - 230V	***	***	***	1	Supply voltage Tension d'alimentation	
REFRIGERANT / FROTE / REFRIGERANT FLUIDE REFRIGERANT / REFRIGERANTFLUIDE	R32				2	Heat output (7°C/43°C) Puissance absorbée	
MAXIMUM PRESSURE REFRIGERATION CIRCUIT PRESSION MAX CIRCUIT REFRIGERANT	4.2 MPa (62 bar)				3	Power absorbed Puissance absorbée	
HEAT TRANSFER FLUID FLUIDE CALORIFEREUR	Water Eau				4	Maximum current intensité max	
MAX. OPERATING PRESSURE COOLANT FLUID PRESSION MAX CIRCUIT CALORIFEREUR	0.5 MPa (5 bar)					weight (kg)	
INDICES PROTECTION	IP44						
OUTDOOR TEMPERATURE LIMITS FOR HEATING / OUTR OPERATION LIMITES DE FONCTIONNEMENT CHAUFFAGE / ECH	30V-6°C	Serial Number	012*****				
Manufacturing site - GROUPE ATLANTIC	Rue des Fonderies BP44 85860 MERVILLE France	Date	09/2022				

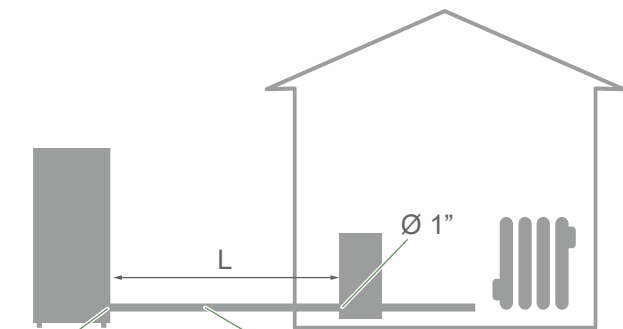
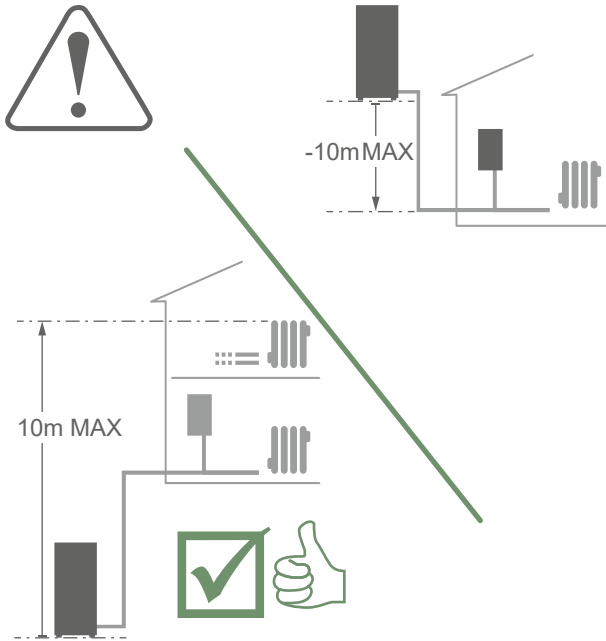
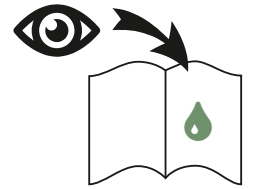
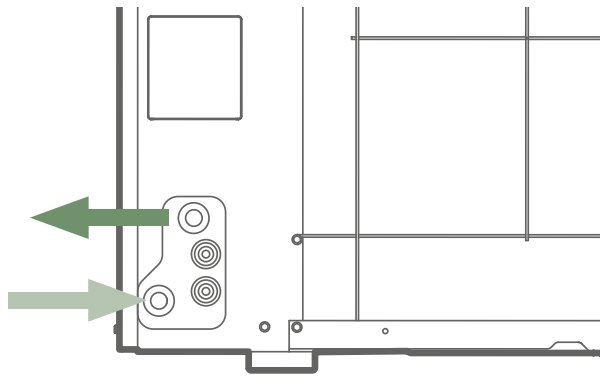


A ≥ 100 mm
B ≥ 150 mm
C ≥ 200 mm
D ≥ 300 mm
E ≥ 400 mm
F ≥ 500 mm
G ≥ 600 mm

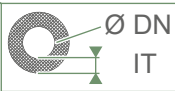
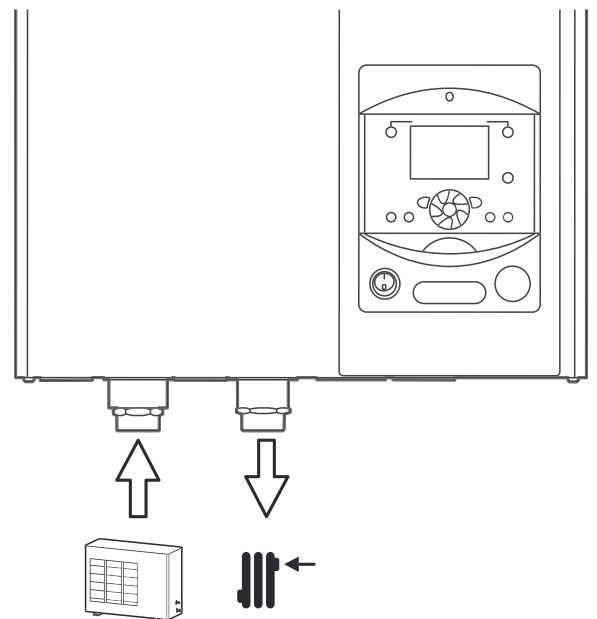
H ≥ 1000 mm
J ≥ 1500 mm
K ≥ 3000 mm
L ≥ 3500 mm
M = 300 mm Max
N = 500 mm Max




OUTDOOR **85 kg**



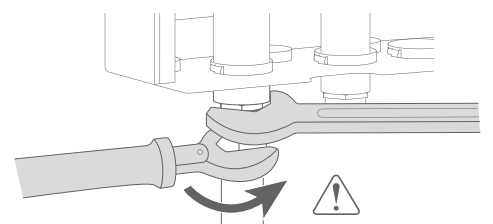
\varnothing 1"	L	1-20 m	>20 m
\varnothing DN		DN25	
IT		20 mm	30 mm

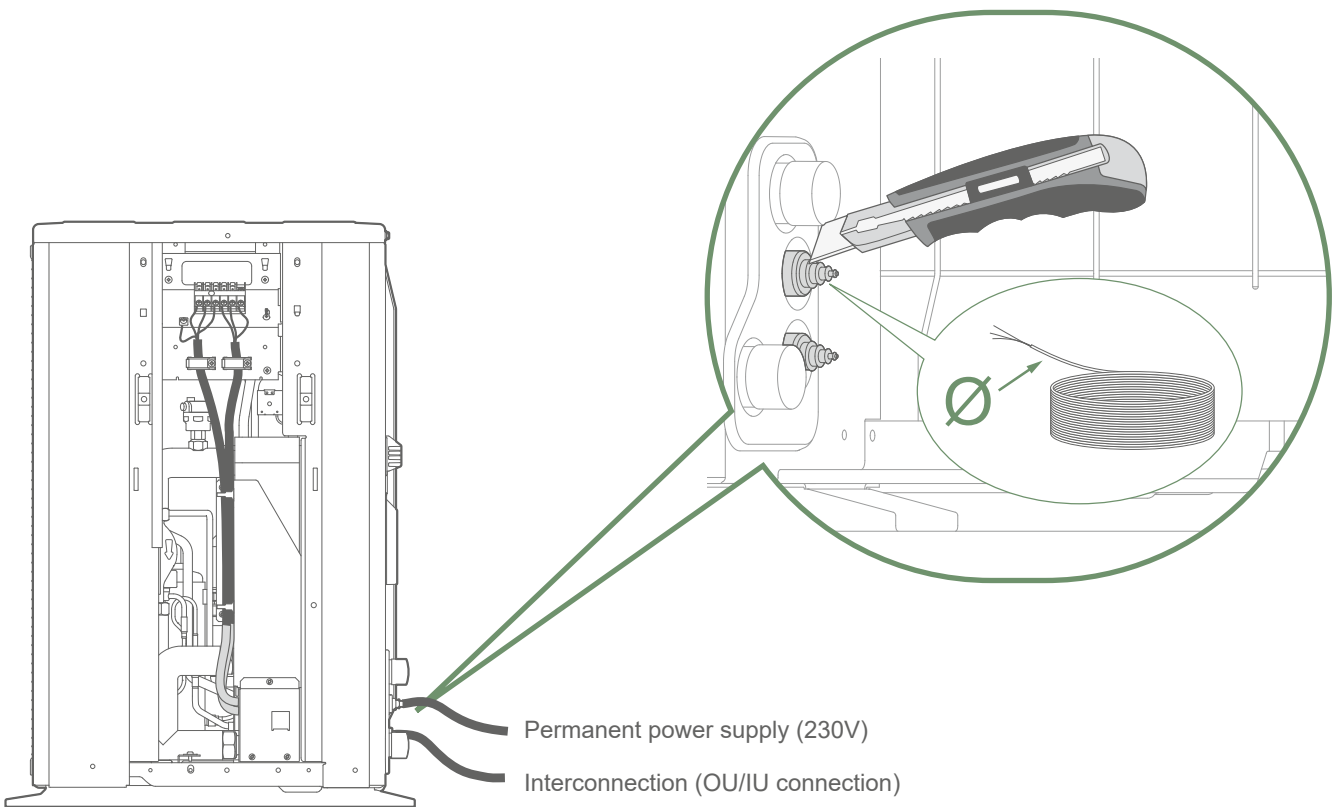
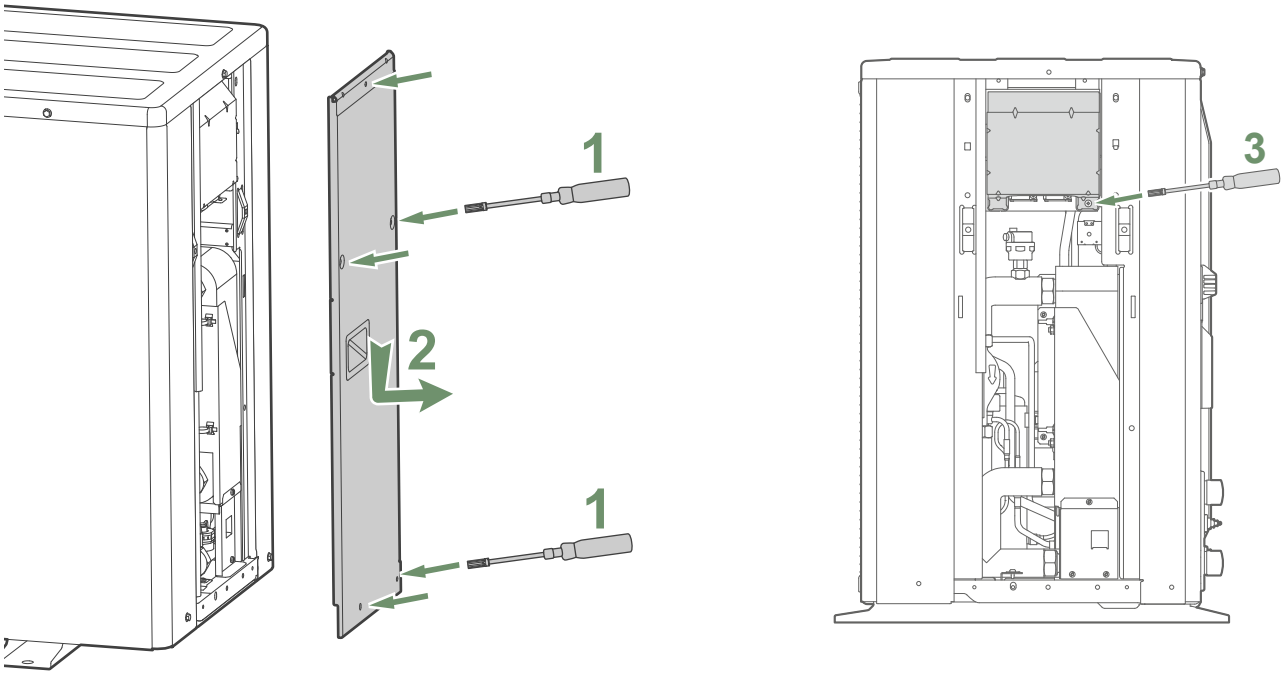
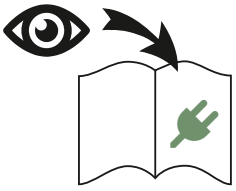



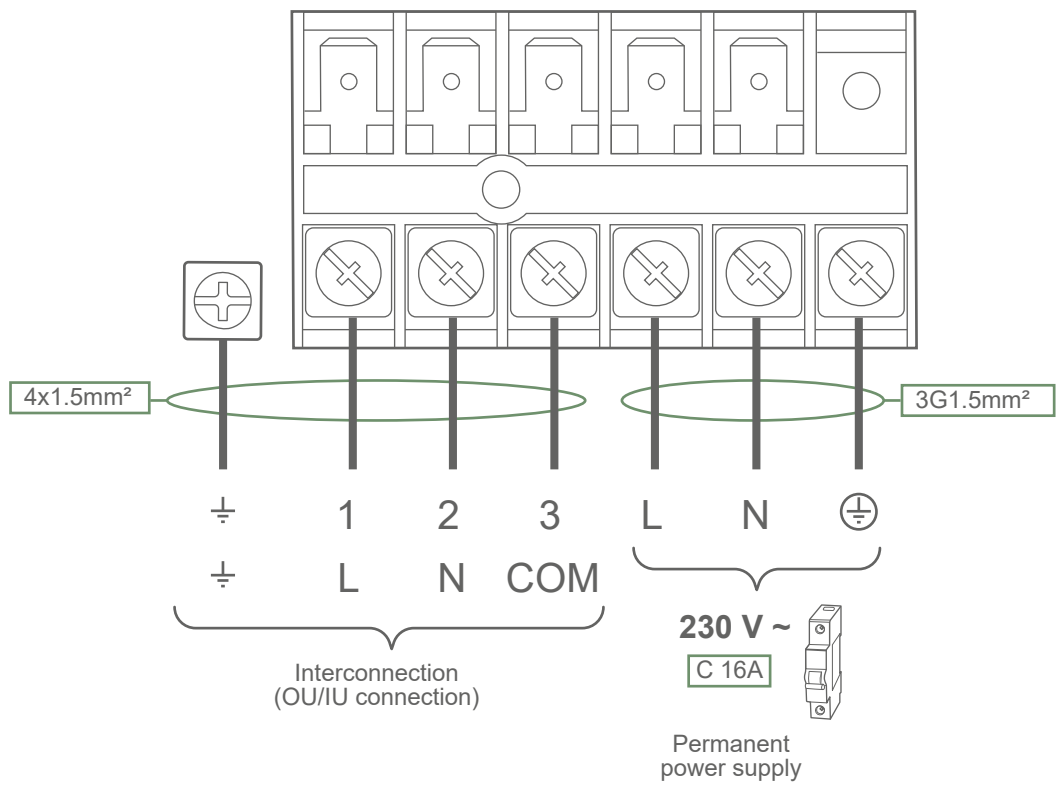
\varnothing	Tightening torque
1/2"	25 Nm
3/4"	35 Nm
1"	45 Nm
1-1/4"	60 Nm

i Maximum pipes length : 30m.

! Warning : Minimum volume of water in the circulating loop: 24 liters







Tightening torque Nm (kgf.cm)	
M4 screw	1.2 to 1.8 (12 to 18)
M5 screw	2.0 to 3.0 (20 to 30)

Commissioning date:

Address of your heating installer or customer service.



are in conformity with the relevant Union harmonized directives and regulations:

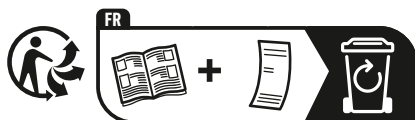
- Low Voltage Directive (LVD) - 2014/35/EU
- Machinery Directive - 2006/42/EC
- ElectroMagnetic Compliance (EMC) Directive - 2014/30/EU
- Commission Regulation / Directives - (EU) 811/2013
- Energy labelling ; Ecodesign - (EU) 2017/1369 - 2009/125/EC
- RoHS Directive - 2011/65/EU - (EU) 2015/863
- Pressure Equipment Directive (PED) - 2014/68/EU

Pressure equipment: Compressor (including its accumulator), Pressure switch, Sub-assembly SKD.

Risk Category II, conformity assessment procedure : module A2 (internal production control plus supervised pressure equipment checks at random intervals) by the Notified Body: TÜV Rheinland Industrie Service GmbH, D-51105 Köln (Identification N° : 0035)



This unit is identified by this symbol. It means that all electrical and electronic products must not be included in household waste. A specific recycling system for this type of product has been set up in European Union countries (*), Norway, Iceland and Liechtenstein. Do not try to dismantle this product yourself. It may have damaging effects on your health or on the environment. Reprocessing of the refrigerant, lubricant and other parts may be performed by a qualified installer in compliance with the local and national legislation in force. This unit must be recycled by a specialised service and in no case may it be thrown away with household waste, rubble or in a landfill. Please contact your installer or local representative for more .
* Depending on the national regulations of each member state.



Points de collecte sur www.quefairedemesdechets.fr