

QUICK INSTALLATION

ML

UE MONOBLOC ATLANTIC

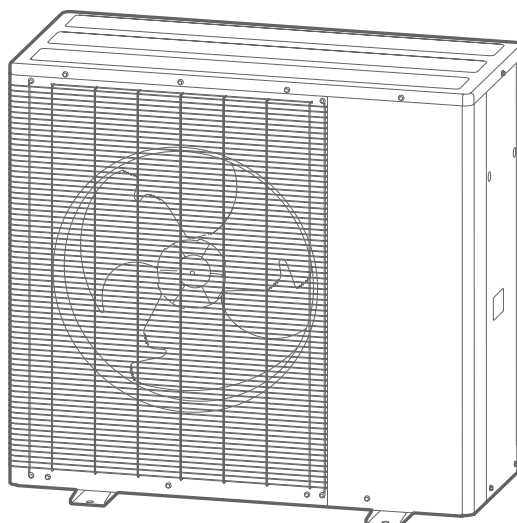
Monobloc heat pump air to water

Outdoor unit

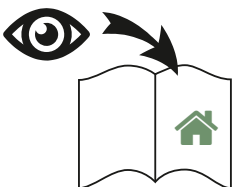
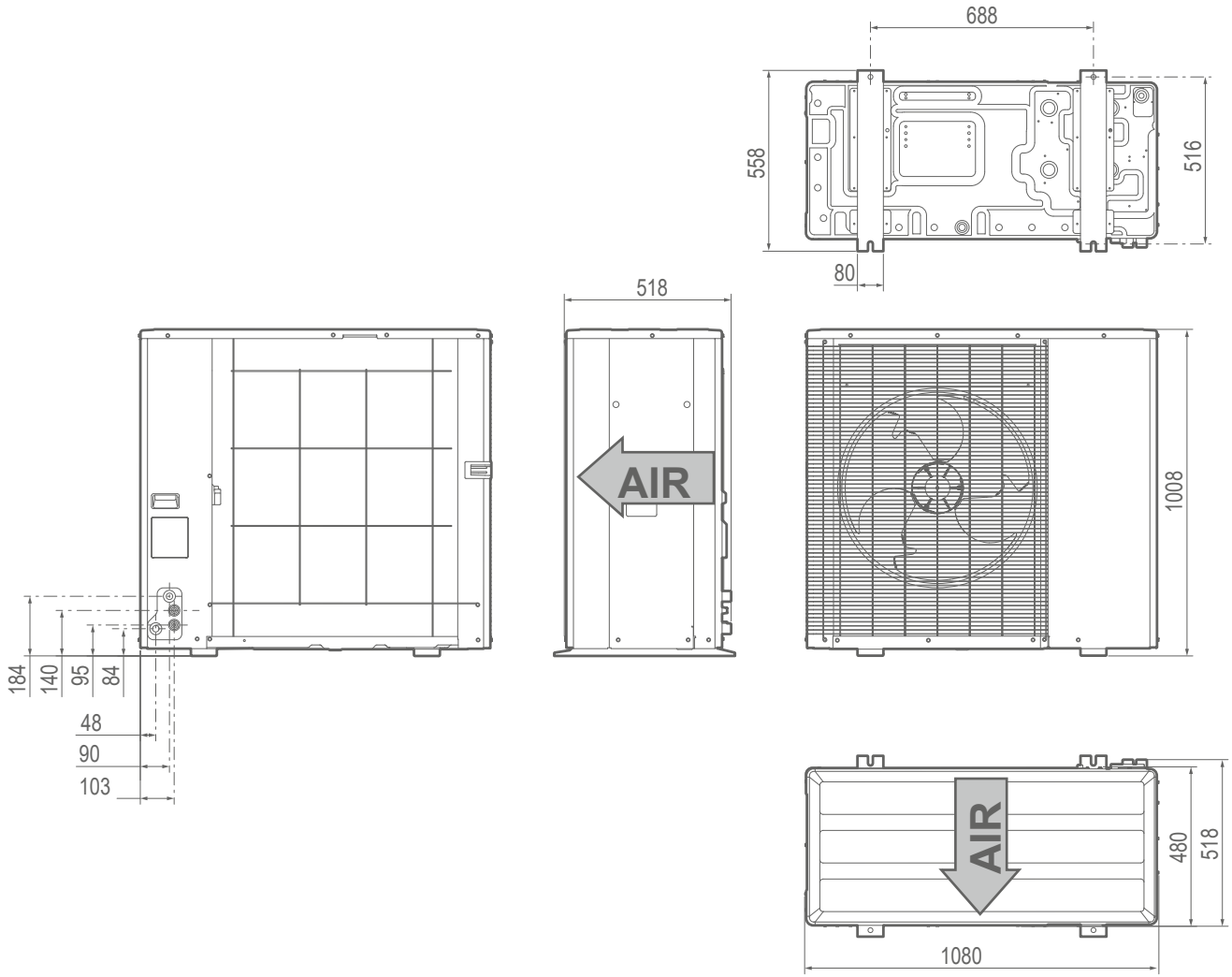
M 8 - 750733



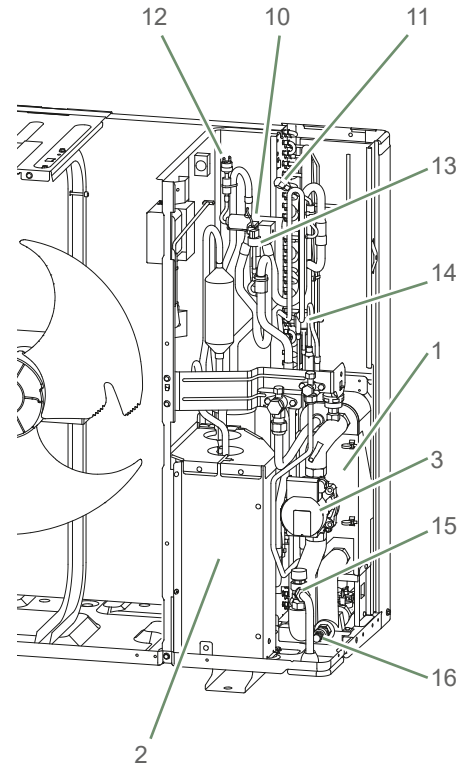
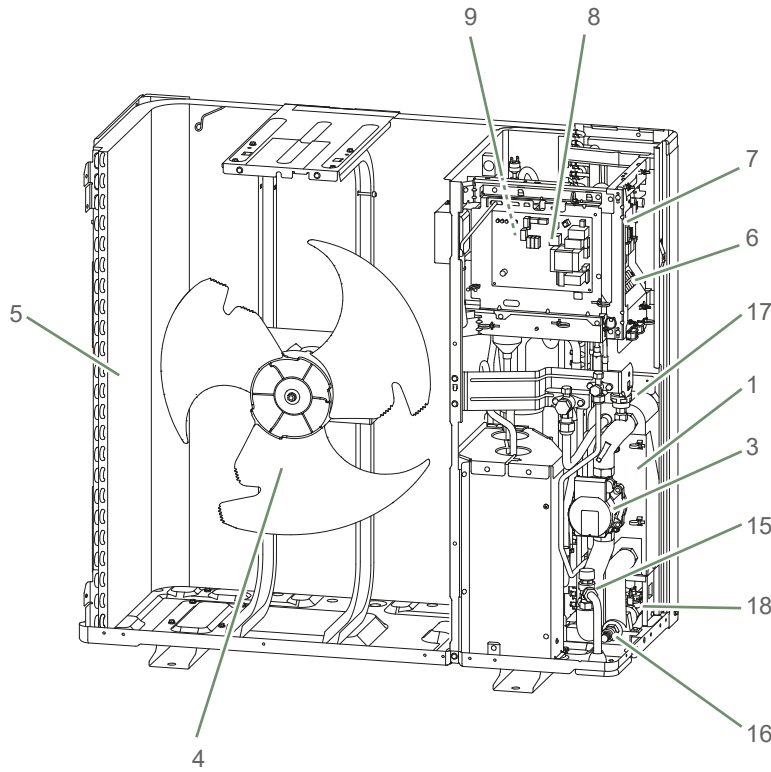
M 11 - 750734



■ OUTDOOR

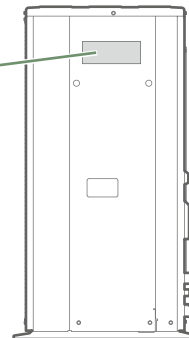


 **OUTDOOR** **109 kg**



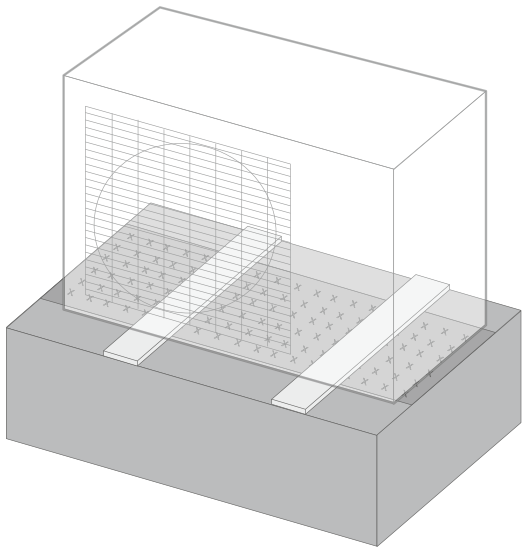
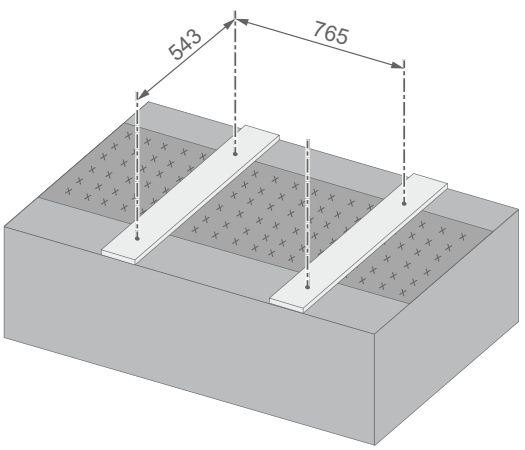
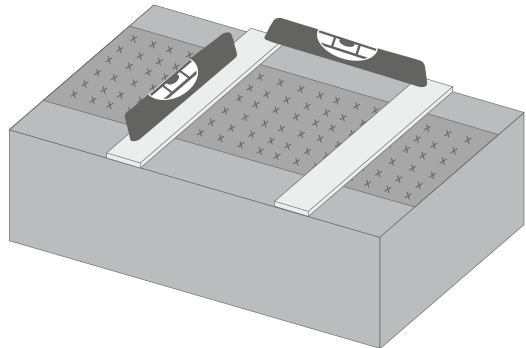
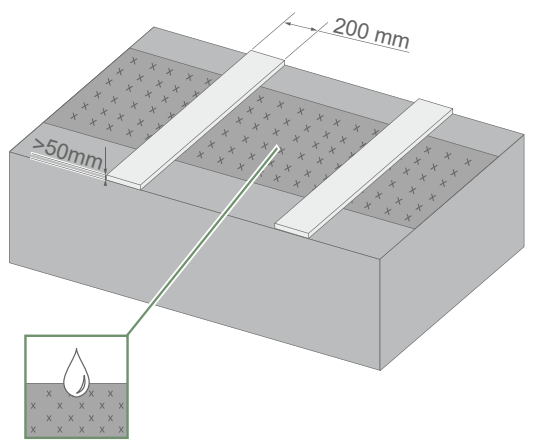
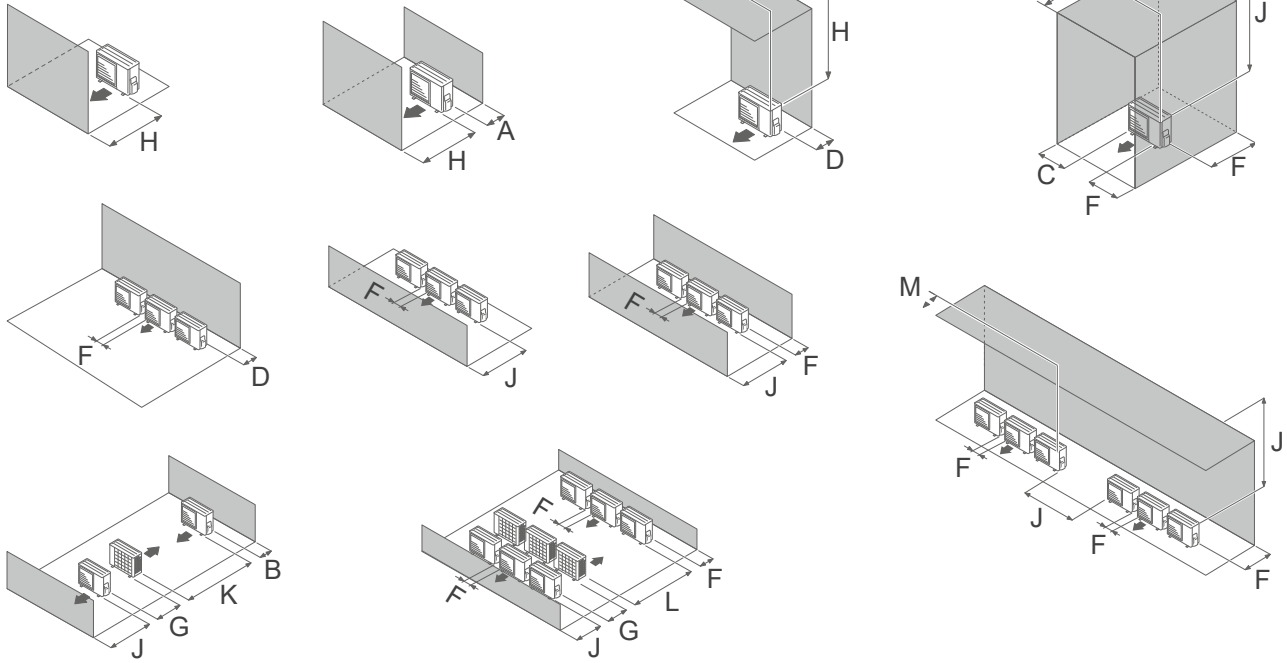
- | | | |
|---|--------------------------------|-----------------------------------|
| 1. Refrigerant to Water Heat Exchanger (EP) | 7. Hydronic Circuit PCB | 13. Pressure sensor (SPr) |
| 2. Compressor (Cp) | 8. Main PCB | 14. Expansion valve (Dt) |
| 3. Circulating pump (CC) | 9. Inverter PCB | 15. Pressure Relief Valve (SSe) |
| 4. High performance and low noise fan | 10. 4-way valve (V4V) | 16. Drain valve (V) |
| 5. Air to Refrigerant Heat Exchanger (Ech) | 11. Schrader Valve | 17. Automatic bleeder valve (PgA) |
| 6. Supply terminal | 12. High pressure switch (Prt) | 18. Flowmeter (Db) |

OUTDOOR UNIT		Code 75***				SERIAL...A	
	1	2	3	4			
Compressor / Compresseur	1	SDH	230V	***kW	***kW	xxA	
REFRIGERANT / FROTE / REFR					R32		
FLUIDE REFRIGERANT / REFRIGERANTFLUIDE					4.2 MPa (62 bar)		
REFRIGERANT / FROTE / REFR					***kW	***kW	***A
MAXIMUM PRESSURE REFRIGERATION CIRCUIT					4.2 MPa (62 bar)		
PRESSION MAX. CIRCUIT REFRIGERANT (PS)					4.2 MPa (62 bar)		
HEAT TRANSFER FLUID					Water		
FLUIDE CALORIFEREUR					Eau		
MAX. OPERATING PRESSURE COOLANT FLUID					0.3 MPa (3 bar)		
PRESSION MAX. CIRCUIT CALORIFEREUR					0.3 MPa (3 bar)		
INDICES PROTECTION					IPX4		
INDICE DE PROTECTION					IPX4		
OUTDOOR TEMPERATURE LIMITS FOR HEATING / OUTR OPERATION					30V-6°C	Serial Number	012*****
LIMITES DE FONCTIONNEMENT CHAUFFAGE / ECR					30V-6°C	Date	09/2022
Manufacturing site - GROUPE ATLANTIC					Rue des Fondeurs BP4 85861 MERVILLE France		

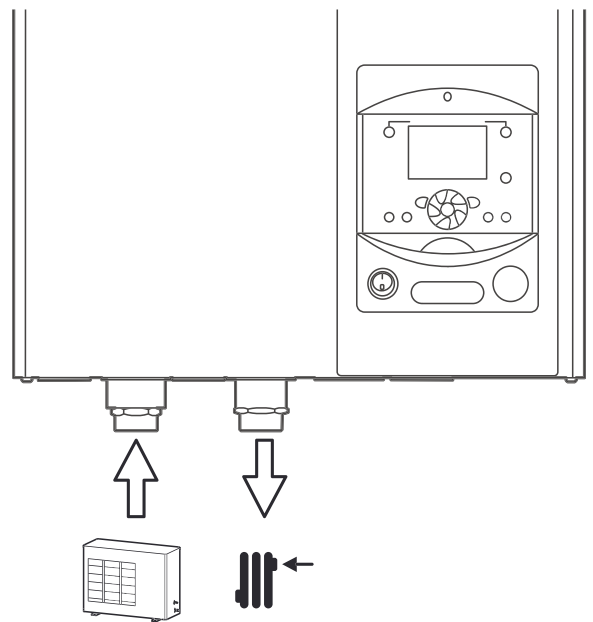
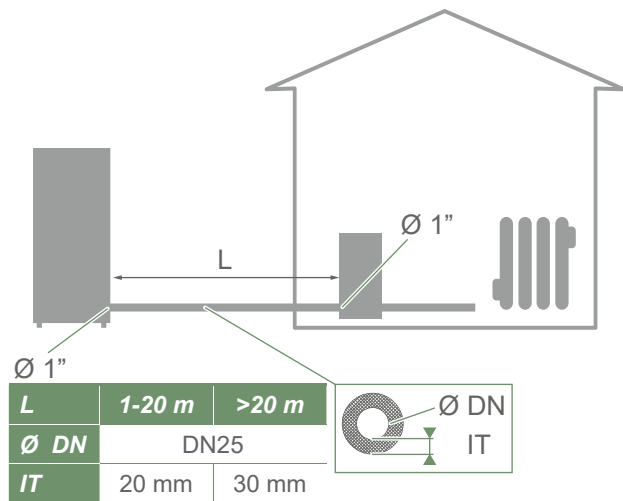
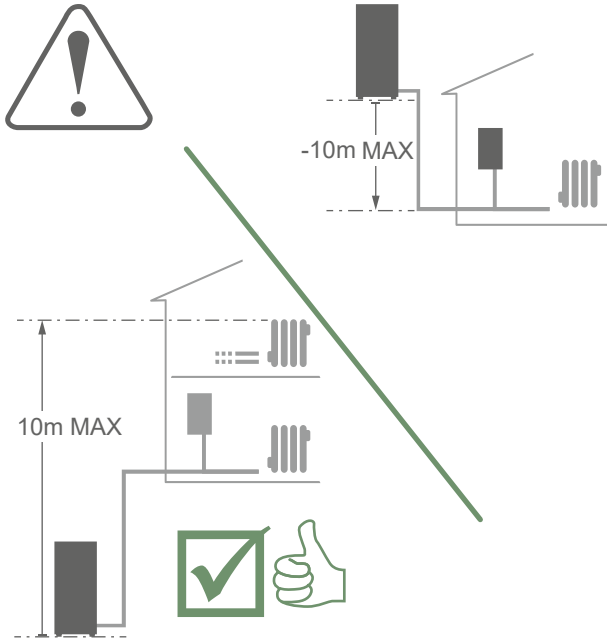
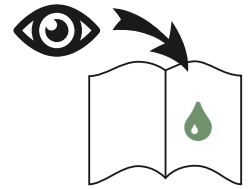
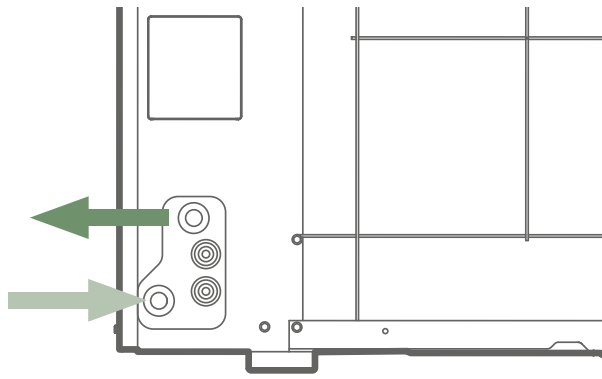


A ≥ 100 mm
B ≥ 150 mm
C ≥ 200 mm
D ≥ 300 mm
E ≥ 400 mm
F ≥ 500 mm
G ≥ 600 mm

H ≥ 1000 mm
J ≥ 1500 mm
K ≥ 3000 mm
L ≥ 3500 mm
M = 300 mm Max
N = 500 mm Max



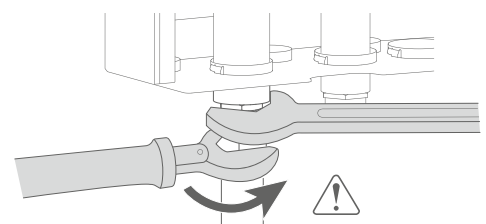

OUTDOOR **109 kg**

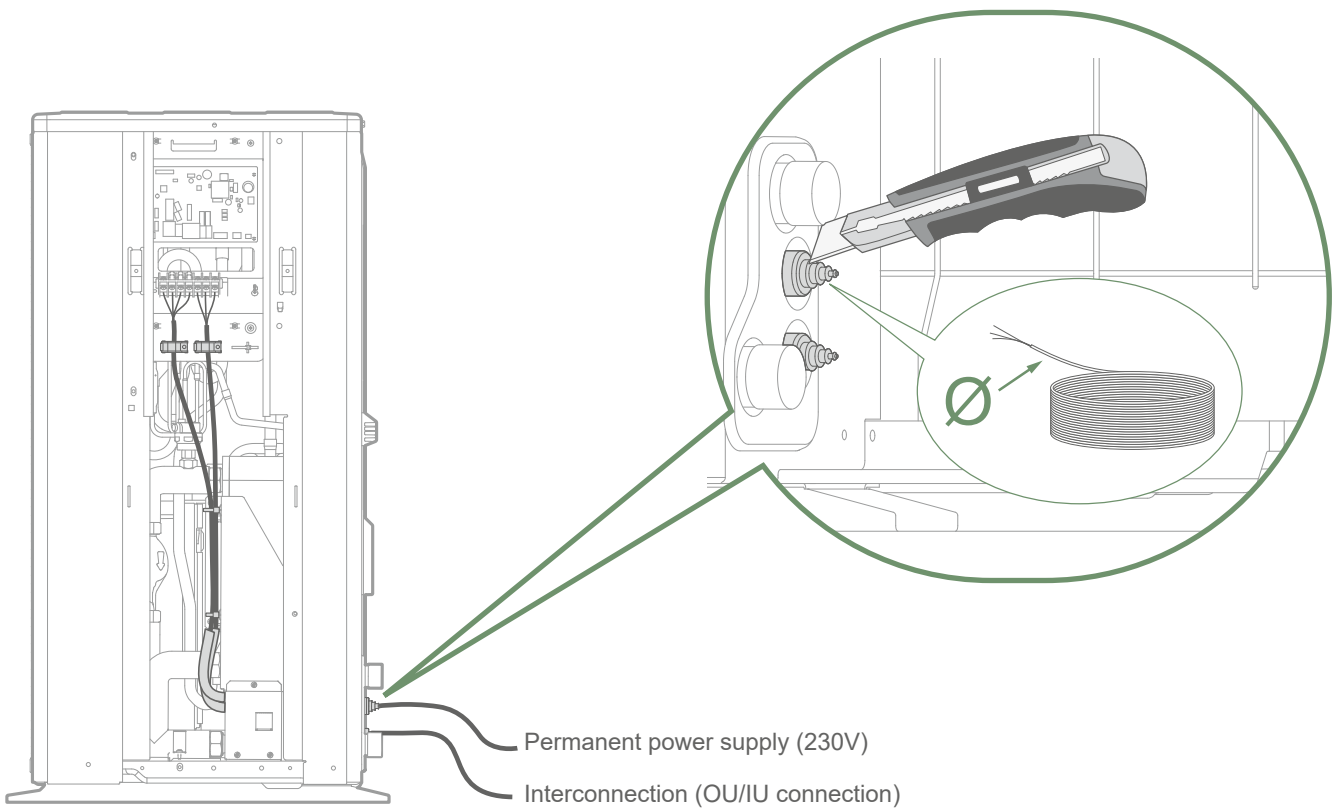
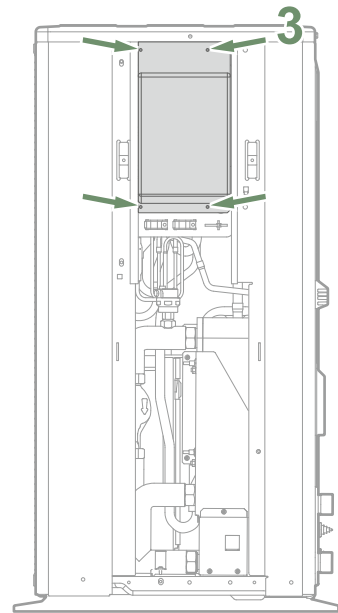
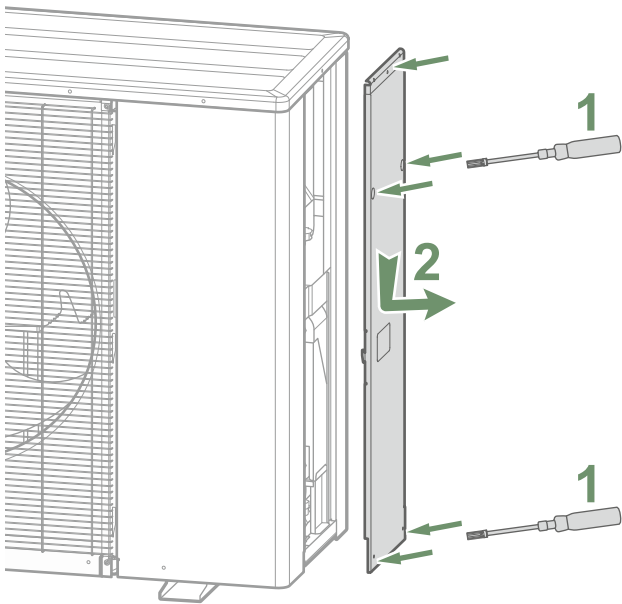
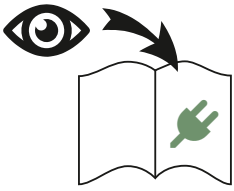


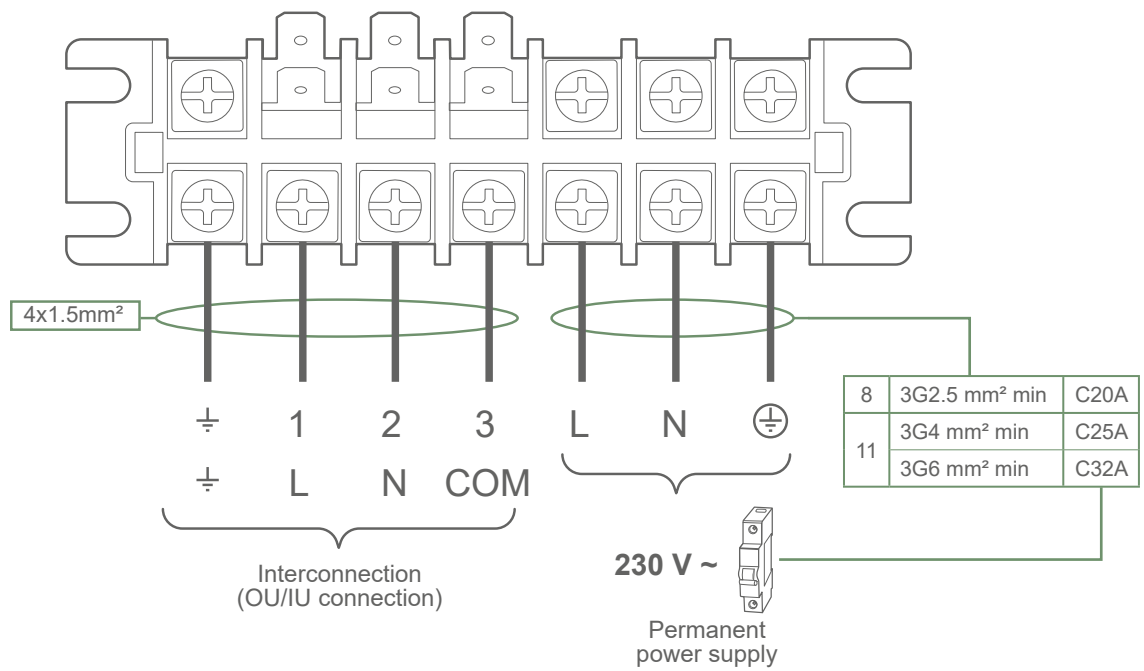
\varnothing	Tightening torque
1/2"	25 Nm
3/4"	35 Nm
1"	45 Nm
1-1/4"	60 Nm

i maximum pipes length : 30m.

! Warning : Minimum volume of water in the circulating loop: 40 liters







Tightening torque Nm (kgf.cm)	
M4 screw	1.2 to 1.8 (12 to 18)
M5 screw	2.0 to 3.0 (20 to 30)

Commissioning date:

Address of your heating installer or customer service.



are in conformity with the relevant Union harmonized directives and regulations:

- Low Voltage Directive (LVD) - 2014/35/EU
- Machinery Directive - 2006/42/EC
- ElectroMagnetic Compliance (EMC) Directive - 2014/30/EU
- Commission Regulation / Directives - (EU) 811/2013
- Energy labelling ; Ecodesign - (EU) 2017/1369 - 2009/125/EC
- RoHS Directive - 2011/65/EU - (EU) 2015/863
- Pressure Equipment Directive (PED) - 2014/68/EU

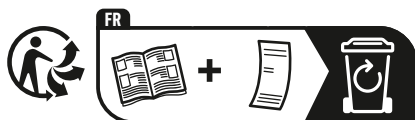
Pressure equipment: Compressor (including its accumulator), Pressure switch, Sub-assembly SKD.

Risk Category II, conformity assessment procedure : module A2 (internal production control plus supervised pressure equipment checks at random intervals) by the Notified Body: TÜV Rheinland Industrie Service GmbH, D-51105 Köln (Identification N° : 0035)



This unit is identified by this symbol. It means that all electrical and electronic products must not be included in household waste. A specific recycling system for this type of product has been set up in European Union countries (*), Norway, Iceland and Liechtenstein. Do not try to dismantle this product yourself. It may have damaging effects on your health or on the environment. Reprocessing of the refrigerant, lubricant and other parts may be performed by a qualified installer in compliance with the local and national legislation in force. This unit must be recycled by a specialised service and in no case may it be thrown away with household waste, rubble or in a landfill. Please contact your installer or local representative for more .

* Depending on the national regulations of each member state.



Points de collecte sur www.quefairedemesdechets.fr