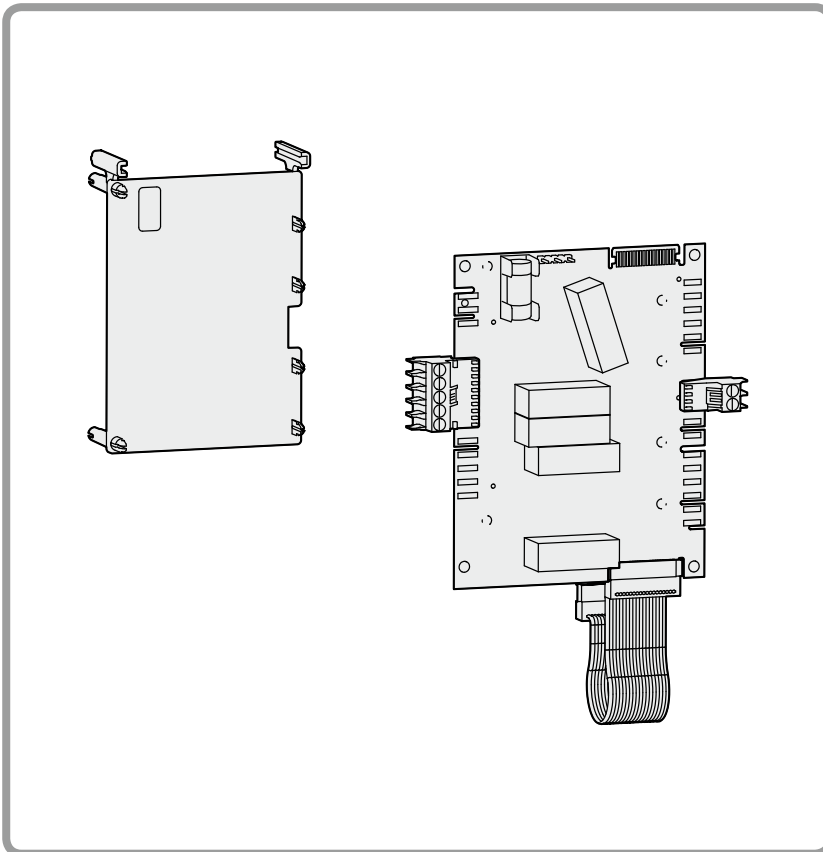


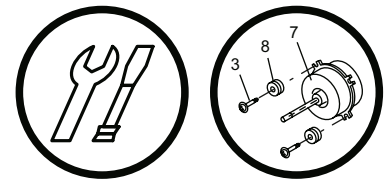


# Regulation extension kit AVS 55 code 075311

for heat pump,  
Split single service or 2 services



☞ These instructions apply to the installation and connection of the extension regulation kit.  
To install and configure the heat pump, please refer to the heat pump's technical instructions manuals.



## Installation instructions

**intended for the  
professional technician**

these must be kept safe  
for subsequent consultation

## Contents



### Description of the equipment . . . . . 3

Package . . . . . 3	Description. . . . . 3
Scope of application . . . . . 3	

### Installation instructions . . . . . 4

Installing the extension board . . . . . 4	Electrical connections . . . . . 4
--	------------------------------------

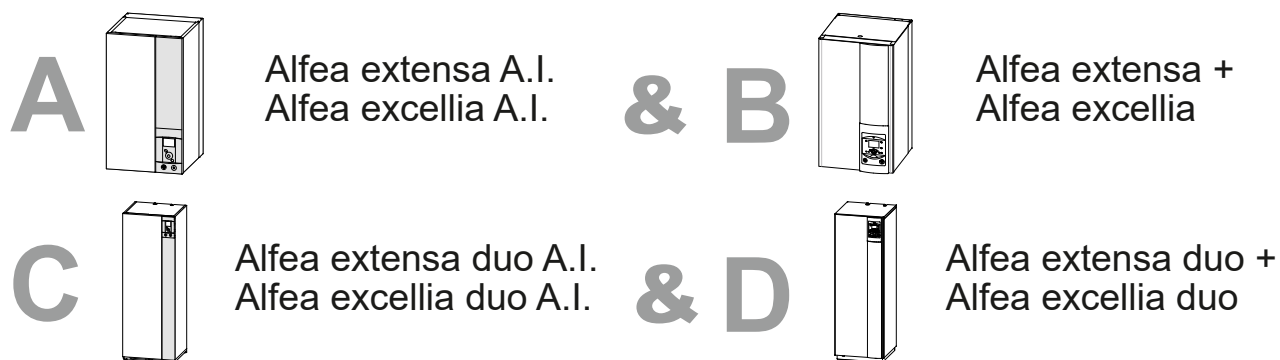


### Description of the equipment . . . . . 7

Package . . . . . 7	Description. . . . . 7
Scope of application . . . . . 7	

### Installation instructions . . . . . 8

Installing the extension board . . . . . 8	Telephone modem. . . . . 10
Electrical connections . . . . . 8	



### Spare parts . . . . . 11



Complies with:

- Low voltage directive 2014/35/UE, under standard EN 60335-1 and NF EN 60335-2-102,
- Electromagnetic compatibility Directive 2014/30/UE.

# 1 Description of the equipment

## 1.1 Package

- **1 package:** Regulation extension kit.

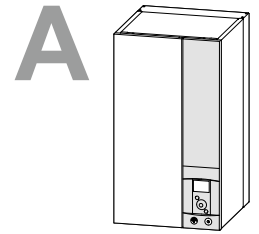
On reception, before you fit anything, it is essential that you check the parts received and search for any damage caused during transport.

## 1.2 Scope of application

The management of the 2<sup>nd</sup> heating zone option requires the installation of the extension board kit.

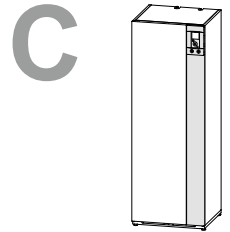
## 1.3 Description

1. Board bracket.
2. Extension board AVS 55.
3. Mixed circuit connector.
4. Interconnection batt.
5. Not used.



Alfea extensa A.I.  
Alfea excellia A.I.

&



Alfea extensa duo A.I.  
Alfea excellia duo A.I.

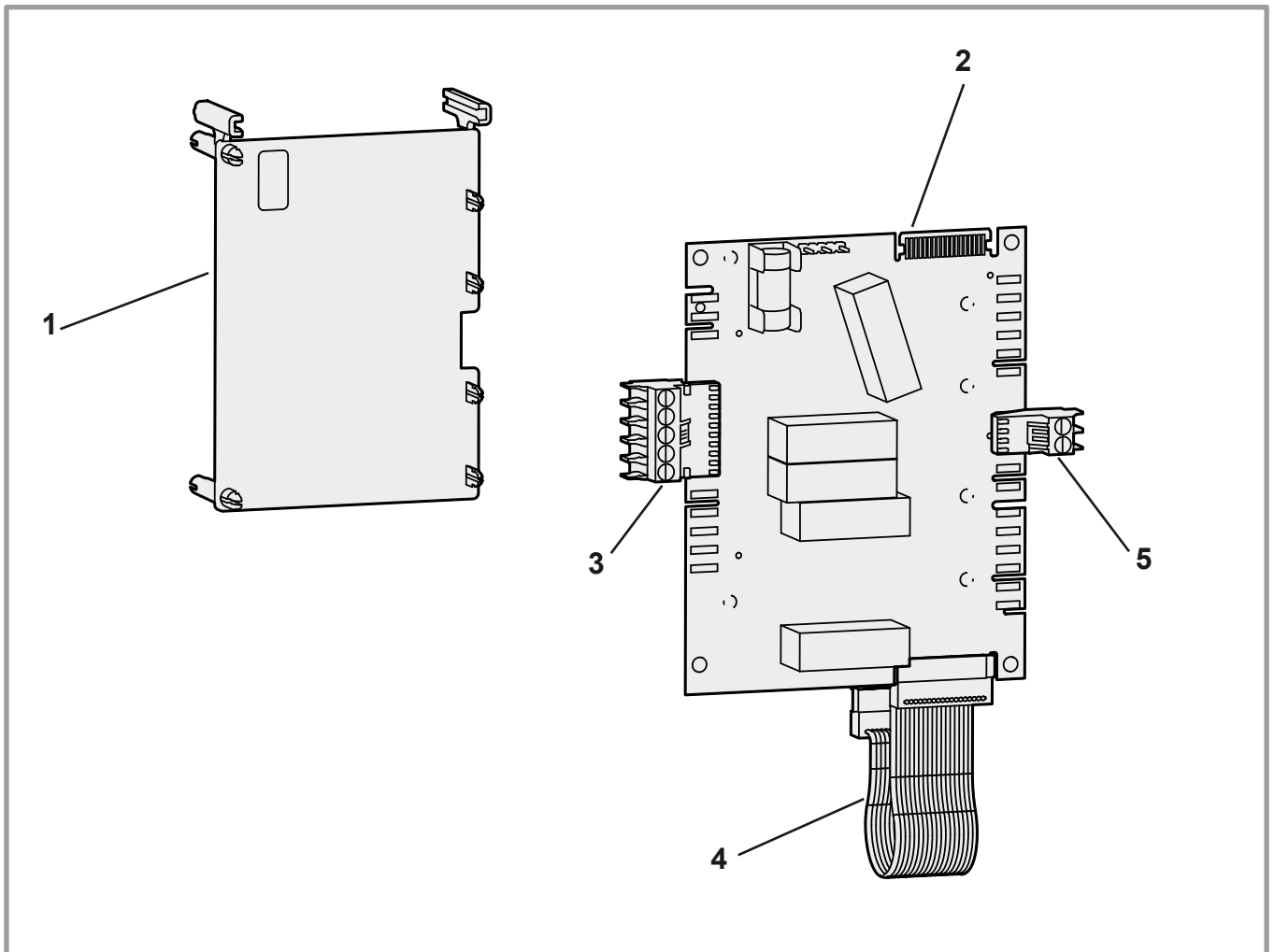
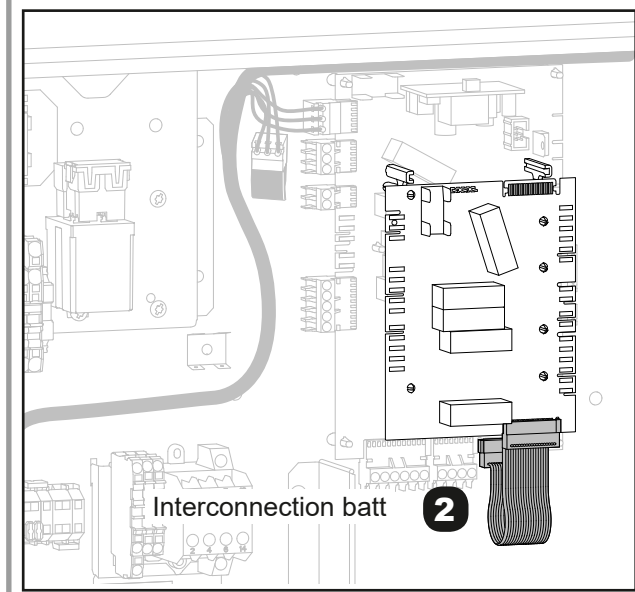
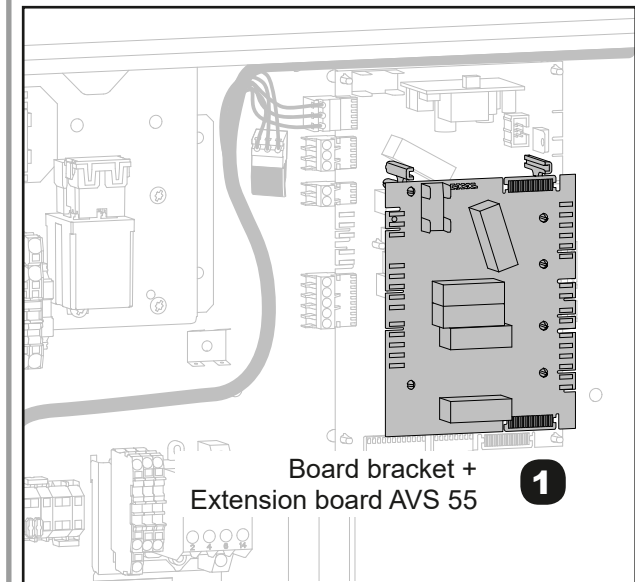
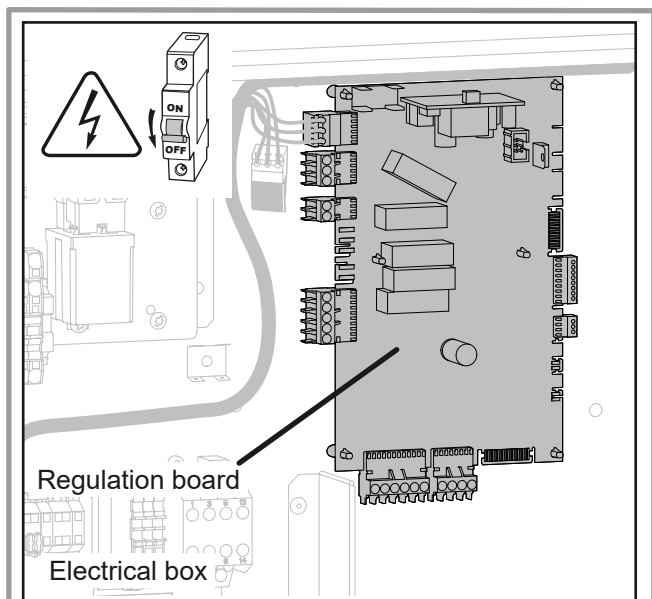


figure 1 - Description

## 2 Installation instructions



Remove the front plate to access the electrical box.

### 2.1 Installing the extension board

- **1** - Install the AVS 55 board and its bracket on the RVS 21 board.

### 2.2 Electrical connections

- ☞ **Ensure that the general electrical power supply has been cut off before starting any repair work.**

The electrical installation must be conducted in accordance with the prevailing regulations.

The electrical connections must only be made when all the other fitting operations have been completed (fixing, assembly, etc.).

- **2** - Connect the interconnection batt between the AVS 55 board and the RVS 21 board.
- **3** - Power supply AVS regulation board.
- Remove the insulator of the AVS 55 board's power connector.
- Connect the power connector to the AVS 55 board.

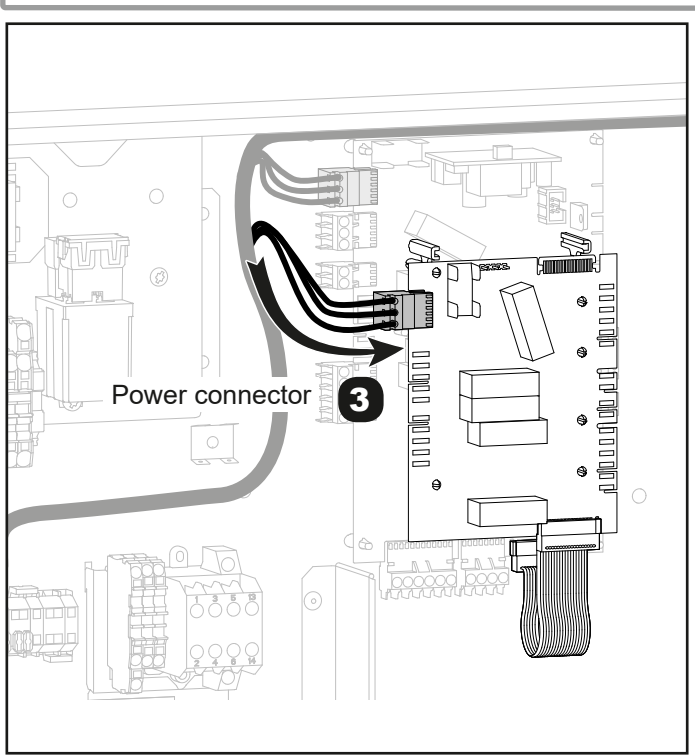


figure 2 - Installing the extension board AVS 55

**Boards:**

**1** - Regulation system RVS 21.

**2** - Extension board AVS 55.

**Connector:**

**3** - Power supply regulation board AVS 55.

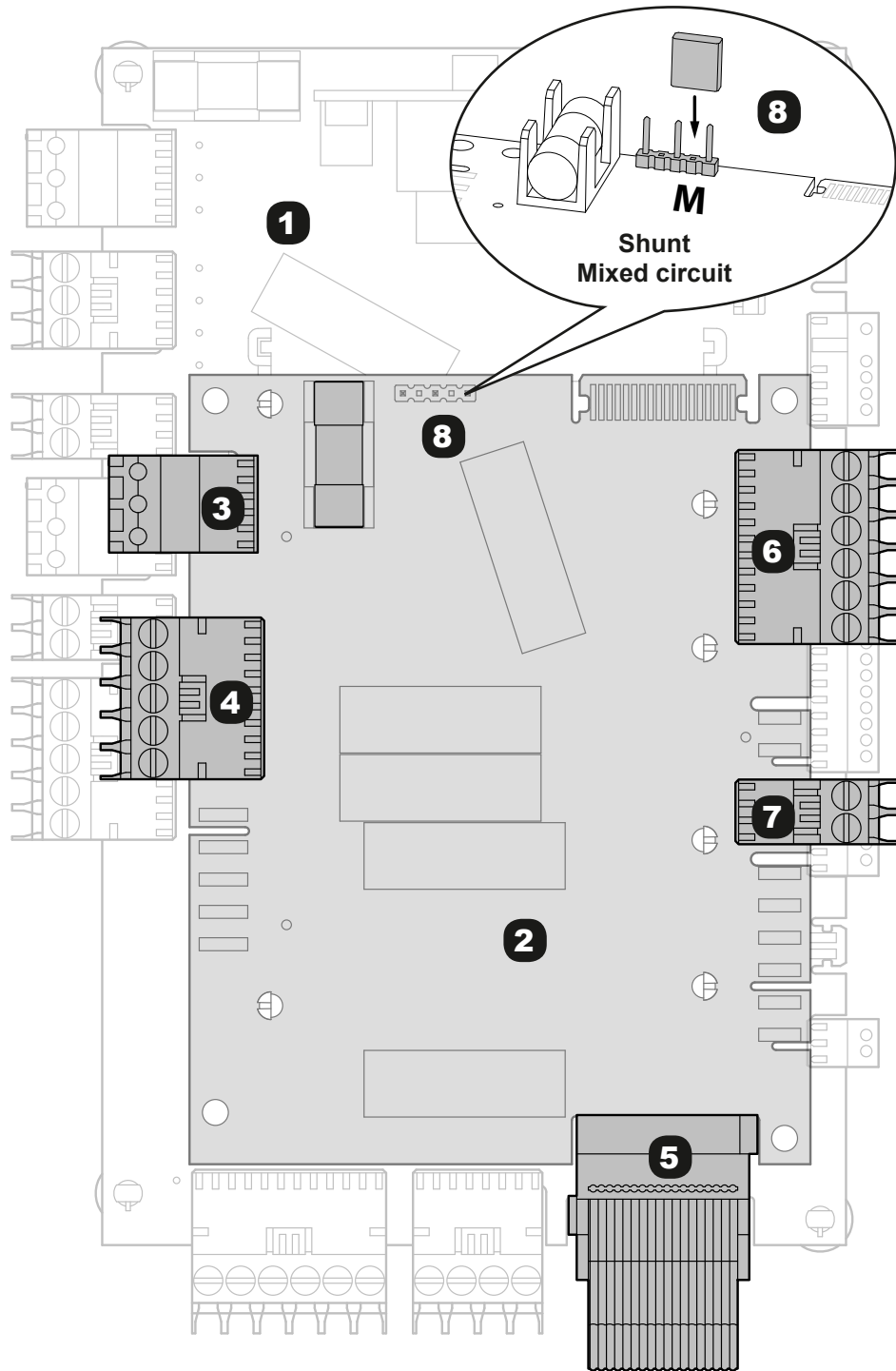
**4** - Mixed circuit (2<sup>nd</sup> circuit kit option).

**5** - Interconnection batt RVS/AVS.

**6** - Room thermostat Mixed circuit (2<sup>nd</sup> circuit kit option).

**7** - Mixed flow temperature sensor (2<sup>nd</sup> circuit kit option).

**8** - Mixed circuit (2<sup>nd</sup> circuit kit option).



Connector 3: on the HP ; connectors 4, 5, 7 supplied with the board (Regulation extension kit option)

*figure 3 - Connection to the AVS 55 extension board (accessories and options)*



## 3 Description of the equipment

### 3.1 Package

- **1 package:** Regulation extension kit.

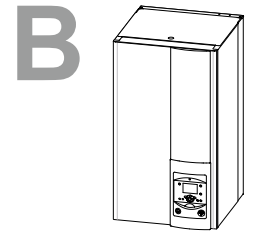
On reception, before you fit anything, it is essential that you check the parts received and search for any damage caused during transport.

### 3.2 Scope of application

The management of the 2<sup>nd</sup> heating zone option, pool,... requires the installation of the extension board kit.

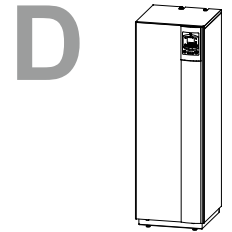
### 3.3 Description

1. Board bracket.
2. Extension board AVS 55.
3. Mixed circuit connector.
4. Interconnection batt.
5. Modem / pool connector.



**B**  
Alfea extensa +  
Alfea excellia

&



**D**  
Alfea extensa duo +  
Alfea excellia duo

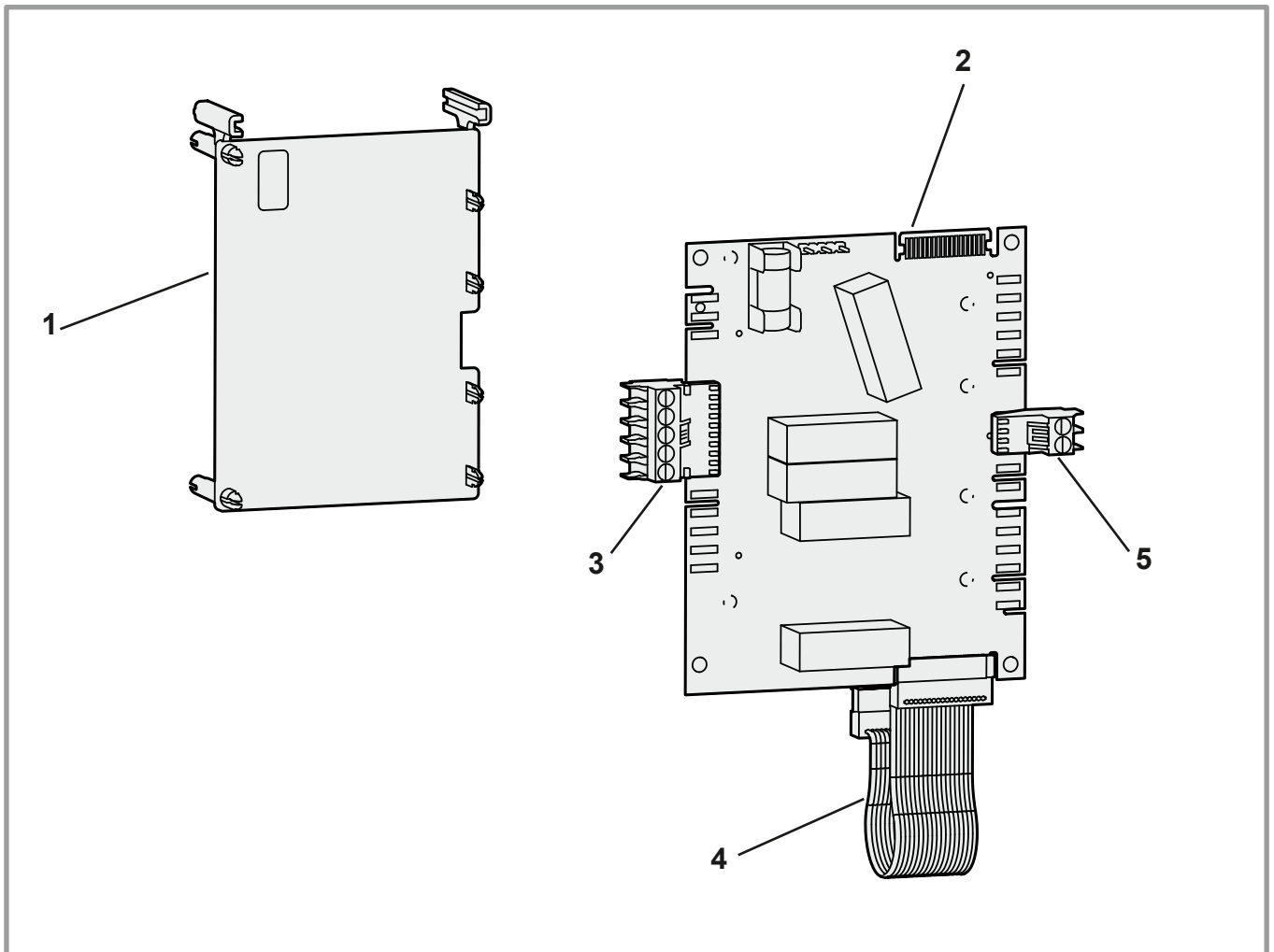
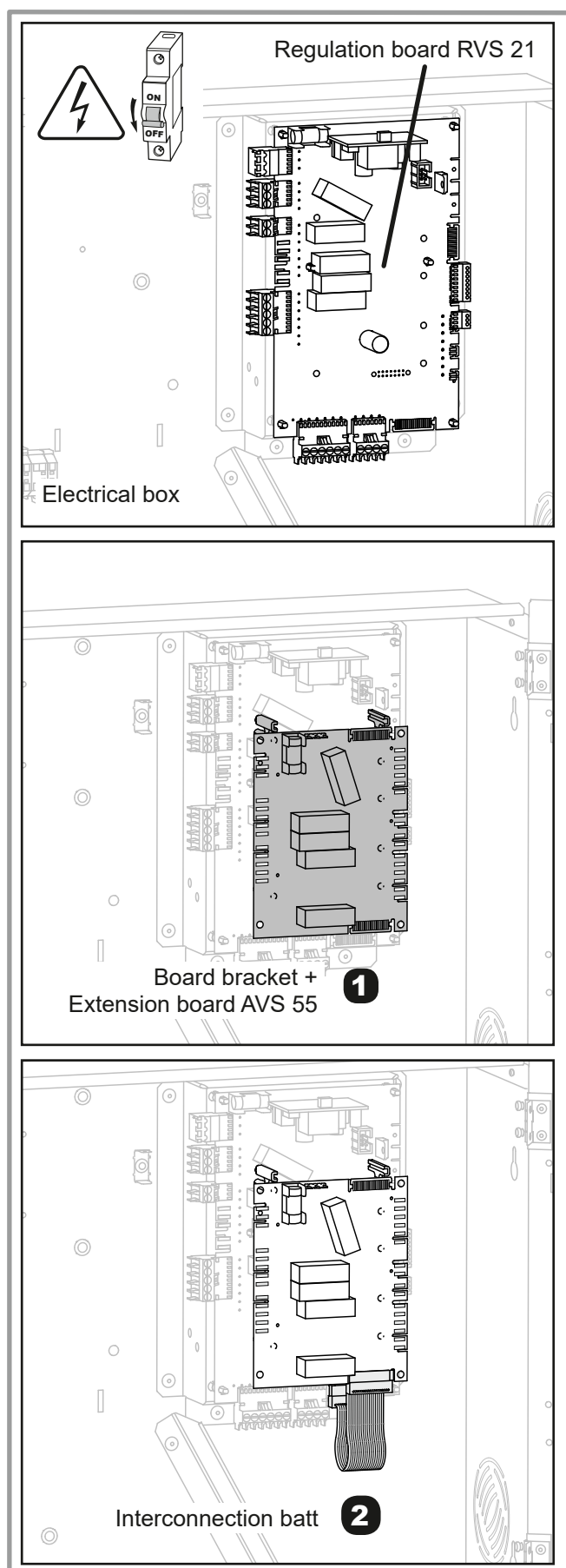


figure 4 - Description

## 4 Installation instructions



Remove the front plate to access the electrical box.

### 4.1 Installing the extension board

- **1** - Install the AVS 55 board and its bracket on the RVS 21 board.

### 4.2 Electrical connections

- ☞ **Ensure that the general electrical power supply has been cut off before starting any repair work.**

The electrical installation must be conducted in accordance with the prevailing regulations.

The electrical connections must only be made when all the other fitting operations have been completed (fixing, assembly, etc.).

- **2** - Connect the interconnection batt between the AVS 55 board and the RVS 21 board.
- **3** - Power supply AVS regulation board.
- Remove the insulator of the AVS 55 board's power connector.
- Connect the power connector to the AVS 55 board.

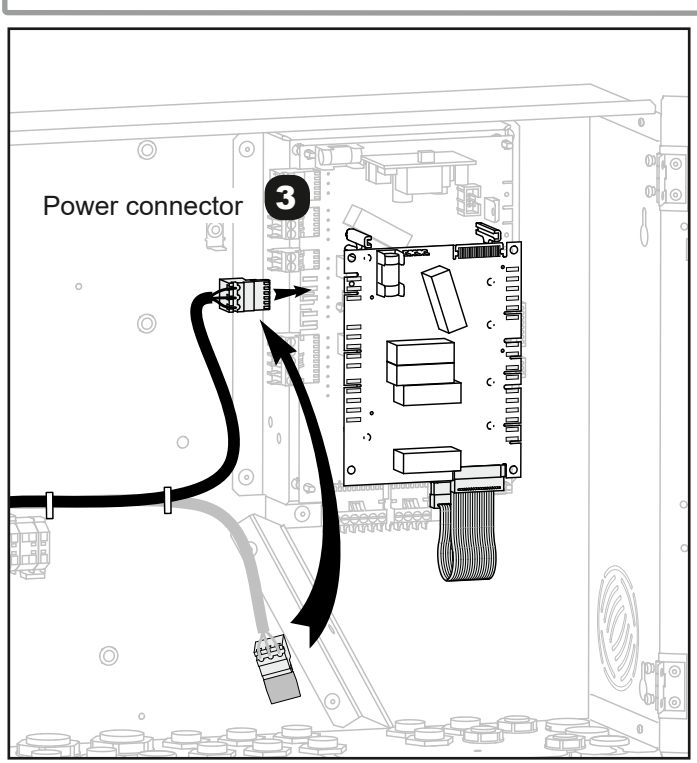


figure 5 - Installing the extension board AVS 55



**Boards:**

**1** - Regulation system RVS 21.

**2** - Extension board AVS 55.

**Connector:**

**3** - Power supply regulation board AVS 55.

**4** - Mixed circuit (2<sup>nd</sup> circuit kit option).

**5** - Pool valve (Swimming pool kit option).

**6** - Interconnection batt RVS/AVS.

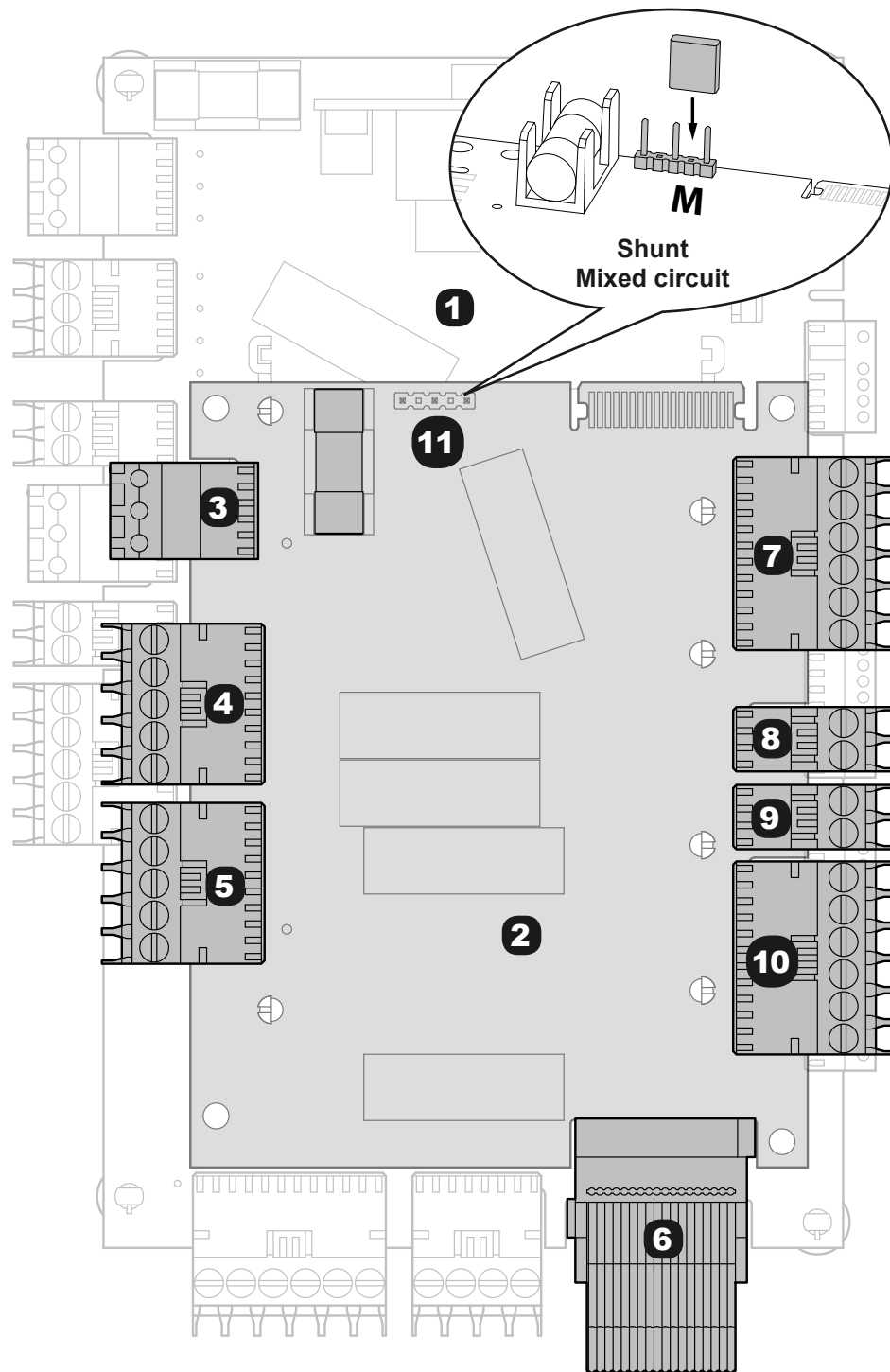
**7** - Room thermostat Mixed circuit (2<sup>nd</sup> circuit kit option).

**8** - Telephone modem / Swimming pool.

**9** - Mixed flow temperature sensor (2<sup>nd</sup> circuit kit option).

**10** - Pool temperature sensor (Swimming pool kit option).

**11** - Pilot-wire Shunt / Mixed circuit (2<sup>nd</sup> circuit kit option).



Connector 3: on the HP ; connectors 4, 6, 8 supplied with the board (Regulation extension kit option)

*figure 6 - Connection to the AVS 55 extension board (accessories and options)*

## 4.3 Telephone modem

### 4.3.1 Operating principle

It is possible to command the switching of the heating mode to reduced mode (or frost protection mode) (and vice versa) on the heat pump using a modem contact

☞ **Warning : When the "Modem" function is used, the pool kit is not possible any more.**

### 4.3.2 Connecting and set to

- Connect the outlet of the telephone control to the **X152** connector.
- Set to : "Configuration" menu, lines 6420 and 6421. Please refer to the manual provided with the heat pump.

In accordance with the setting, any temperature requests from the heating circuits and the DHW are ignored or activated.

This function is only active in automatic mode.

☞ **Other(s) setting(s) (depending software version)**

- **Before version 5.8** (parameter 6220)

The telephone command switches the current heat pump settings to "**frost protection mode**" (Protection mode) (and vice versa).

- **From version 5.8** (parameter 6220)

Factory setting : the telephone command switches the current heat pump settings to "**reduced mode**" (and vice versa). Depending user needs, it possible to modify this setting : refer settings **900** (CC1) and **1200** (CC2) - factory setting : "**Reduced**".

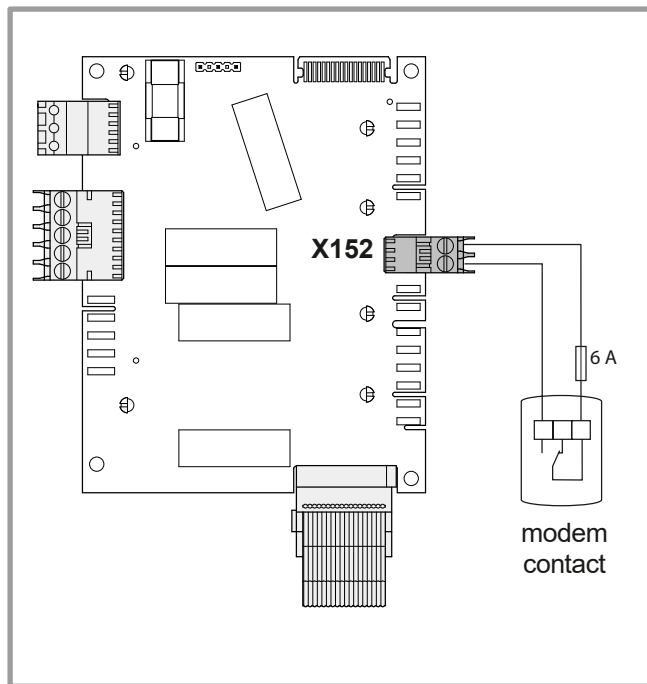


figure 7 - Telephone modem

### 4.3.3 Impact on the power management function

The modem input X152 and the input Ex1 (power management) enable Operating mode changeover \* of the heating mode.

Using a telephone modem, may require modification of that (s) parameter (s) 900 (and / or 1200) according to the user's needs (eg. Setting "Protection mode"). In this case, power management will follow the instructions of the new setting (in the example "Protection mode").

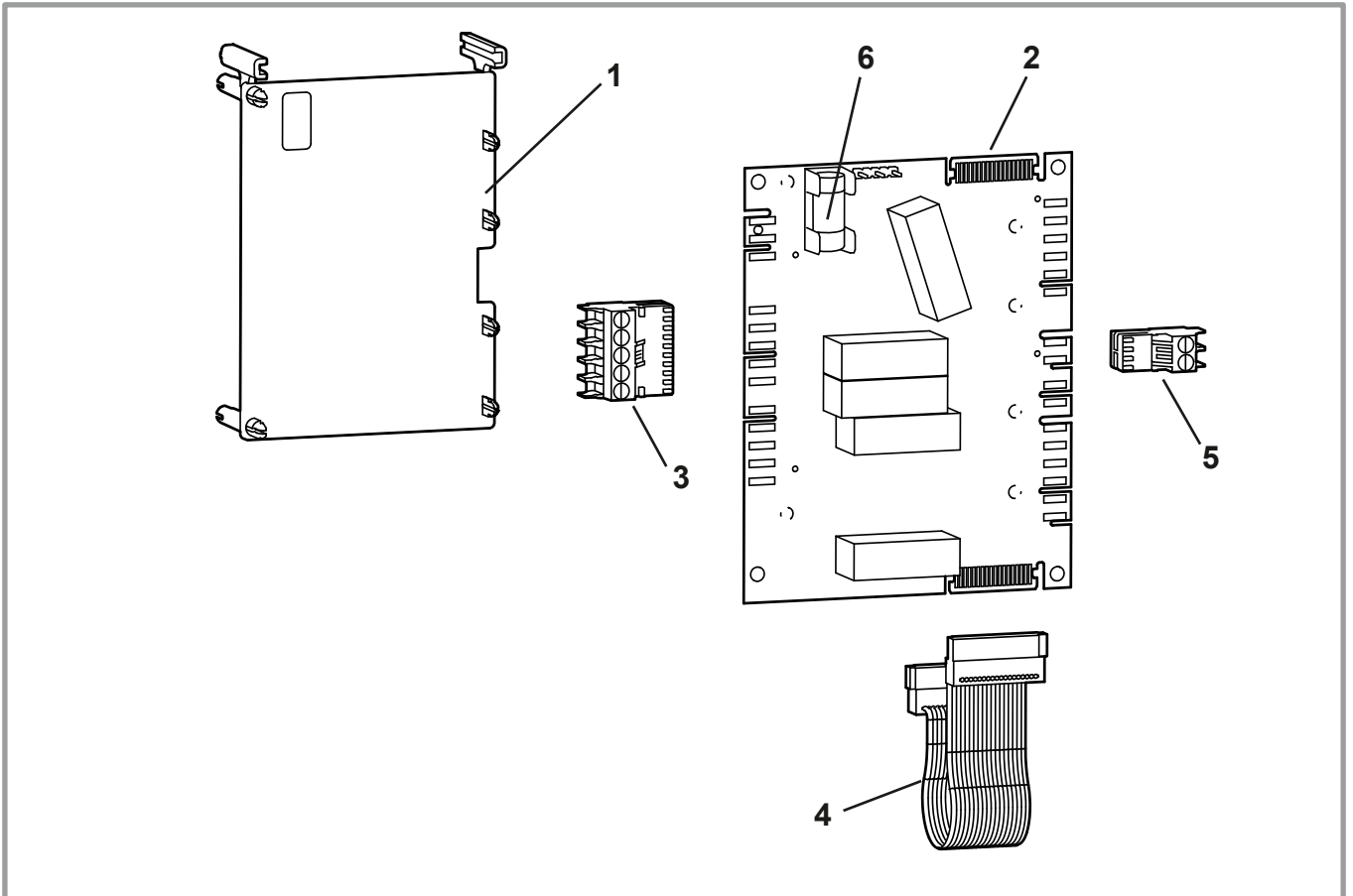
\* parameters 900 (CC1) & 1200 (CC2) - default setting to "Reduced".

## 5 Spare parts

When ordering spare parts, specify the appliance type and serial number, the name of the part and the part number.

Qty = Total quantity on the appliance.

N°	Code	Designation	Type	Qty
1	175062	Bracket		.01
2	165341	Board AVS 55		.01
3	110869	Connector	x 5	.01
4	153018	Flat cable		.01
5	110865	Connector	x 2	.01
6	199910	Fuse	250v - 6.3A T	.01





This appliance is marked with this symbol. This means that electrical and electronic products shall not be mixed with general household waste. European Community countries(\*), Norway, Iceland and Liechtenstein should have a dedicated collection system for these products. Do not try to dismantle the system yourself as this could have harmful effects on your health and on the environment. The dismantling and treatment of refrigerant, oil and other parts must be done by a qualified installer in accordance with relevant local and national regulations. This appliance must be treated at a specialized treatment facility for re-use, recycling and other forms of recovery and shall not be disposed of in the municipal waste stream. Please contact the installer or local authority for more information.  
\* subject to the national law of each member state

---

*Date of installation :*

*Contact of your heating technician or your after-sales service.*

**Société Industrielle de Chauffage**  
SATC - BP 64 - 59660 MERVILLE - FRANCE